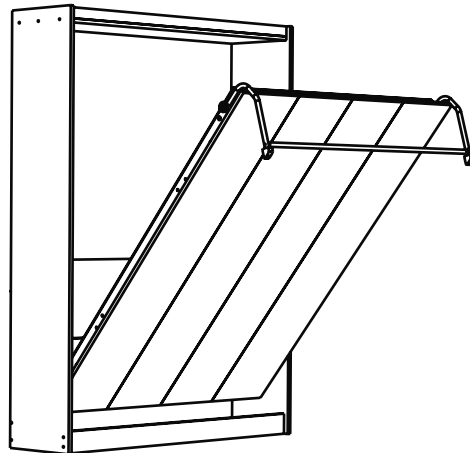


alpha bed™

[Model #SBF: Steel Bed Frame]

Assembly Instructions



Stocked in:

- Single/Twin
- Double/Full
- Queen
- Single/Twin X-Long
- Double/Full X-Long
- King

One universal bed frame for each of Single, Double, or Queen wall beds.
May be mounted in either vertical or horizontal modes.

A lightweight, universal, structural steel bed frame with double overlap steel stiffeners, completed with fold-away leg system. Designed to exceed the strength of wood or aluminum as well as residential and commercial specifications.

Designed to Exceed International ISO 9002
Standards for residential specifications

***** 15 YEAR WARRANTY *****



MURPHY
WALLBED
SYSTEMS
INC.

Let's build a Wallbed together!

Project Start-Up

- Familiarize yourself with all of the components in the Steel Bed Frame and mechanism cartons, as well as thoroughly study this manual so you may plan the steps required to complete this project.
- Study all illustrations and plan drawings. Make sure that the space available is adequate for the specified dimensions of the bed cabinet, both in the open and closed positions (see cut list pages to cross check dimensions).
- Cabinet Panels may be constructed of Ply Core or Particle Board.
- Handles to pull the bed open are not provided. Select these from your local decorative hardware supplier. Have them on site at the time of assembly.
- Check to be sure that all items are available
 - Steel Bed Frame and Mechanism
 - Cabinet Components and Hardware
 - Necessary Tools
- If you choose a horizontal bed orientation, a separate cut list is provided and assembly diagrams are on page 18.

Steps to Complete Project

1. Prepare all wood or laminate cabinet components.
2. Mount Lift Mechanism.
3. Install springs in Lift Mechanisms.
4. Assemble the Bed Cabinet.
5. Attach Bed Cabinet to wall.
6. Assemble Steel Bed Frame to Bed Face Panels.
7. Install the Bed Face Panel in Cabinet.
8. Install Handles, Leg Assembly, Mechanism Covers, Mattress

Carton Contents for **alpha bed™**

Note: Each Frame Carton contains one Single, Double, Queen or King Steel Bed Frame complete with leg assembly and necessary hardware. Mechanism components are in separate carton.

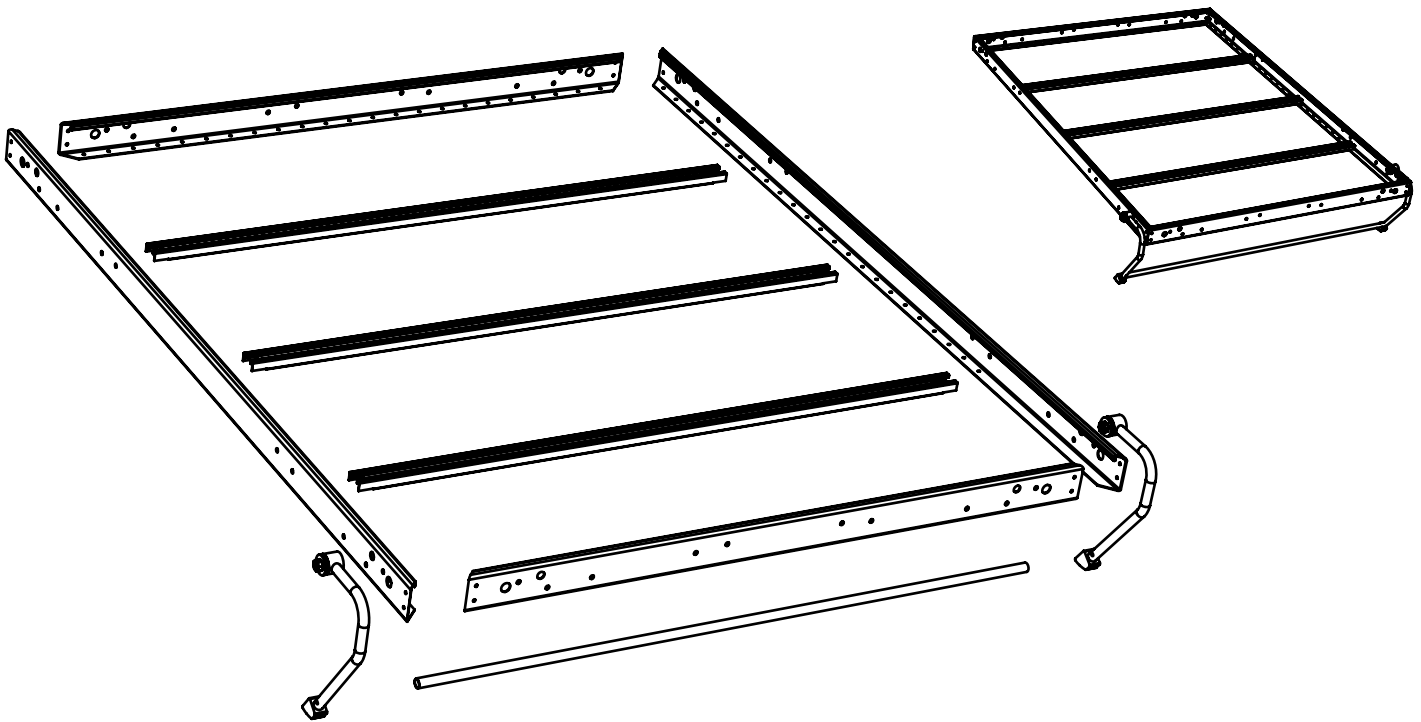
| Qty. | Frame Carton Items | Comments | ✓ |
|---|---|--|--------------------------|
| 2 | Frame End Sections | Identical Head & Foot | <input type="checkbox"/> |
| 2 | Frame Side Sections | Identical, Right or Left | <input type="checkbox"/> |
| 3(5) | Stiffeners - Bed Face (King Size) | Space evenly between Frame Sides | <input type="checkbox"/> |
| 2 | Fold-away Legs | One Left - One Right | <input type="checkbox"/> |
| 1 | Leg Connector Rod | Stabilizes and Eases Leg Operation | <input type="checkbox"/> |
| Hardware Card #3 | | | |
| 14 | Bolt 10-24x1/2" (M6x12mm) Black | Bolt Frame corners | <input type="checkbox"/> |
| 2 | Bolt 10-24x1 1/4" (M6 x 32mm) Black | Bolt Leg Stop Foot corners | <input type="checkbox"/> |
| 16 | Nut 10-24 (M6) Black Nylock | Use with #1214 & #1213 | <input type="checkbox"/> |
| 4 | Angle 1"x1"x1 3/4" (25x25x44mm) Black | Use inside Frame corners | <input type="checkbox"/> |
| 2 | 1/2"x3/4" (13x19mm) Round Black Cylinder | Use with #1213 as Leg Stop | <input type="checkbox"/> |
| Hardware Card #4 | | | |
| 2 | 1 1/2"x5/16" (T1.5x40mm) Black Washer | Secure Leg inside Frame | <input type="checkbox"/> |
| 2 | 1 1/2"x.765" (T2.5x40mm) Black Washer | Secure Leg inside Frame | <input type="checkbox"/> |
| 2 | 1 1/2"x.765" (T2.5x40mm) Black Nylon Washer | Between Leg & outside of Frame | <input type="checkbox"/> |
| 2 | Nut 5/16" (M8) Black Nylock | Secure Leg inside Frame | <input type="checkbox"/> |
| 2 | Bolt 1/4"-20 Black Hex Head | Attach Leg to Leg Rod | <input type="checkbox"/> |
| 2 | Star Washer for #1210 | Attach Leg to Leg Rod | <input type="checkbox"/> |
| Hardware Card #5 | | | |
| 1 | Nylon Web Strap with Buckle | Secure Mattress to Bed Frame | <input type="checkbox"/> |
| 2 | 3/4"x1/4" (T1.5x25mm) Washer | Secure Nylon Web Strap to Bed Face Panel under Mattress | <input type="checkbox"/> |
| 2 | #8x5/8" (M4x15mm) Wood Screw | Secure Nylon Web Strap | <input type="checkbox"/> |
| Hardware Card #7 - King size includes 2 bags | | | |
| 110 | #8x5/8" (M4x15mm) Wood Screw | Attach Steel Bed Frame to Bed Face | <input type="checkbox"/> |

| Qty. | Mechanism Carton Items | Comments | |
|-------------------------|-----------------------------------|--|--------------------------|
| 1 | Lift Mechanism - Right Side | Attach to Right Side Panel | <input type="checkbox"/> |
| 1 | Lift Mechanism - Left Side | Attach to Left Side Panel | <input type="checkbox"/> |
| 2 | #1 Bags containing 9 Springs each | Install correct number in each Mechanism | <input type="checkbox"/> |
| 1 | 13" Plastic Pipe | Used to set the Lift Mechanisms | <input type="checkbox"/> |
| Hardware Card #2 | | | |
| 10 | Machine Screw 5/16-18 x 1 1/4" | To attach Lift Mechanisms to Side Panels | <input type="checkbox"/> |
| 4 | Hex Head Bolt 5/16-18 x 1" | Attach Mechanism to Frame Side section | <input type="checkbox"/> |
| 2 | Allen Head Bolt 5/16-18 x 1" | Position Mechanism Arm on Frame Side section | <input type="checkbox"/> |
| 16 | Hex Head Nylock Nut | Secure Bolts and Screws | <input type="checkbox"/> |
| 1 | Allen Wrench 5/16" | For Allen Head bolts | <input type="checkbox"/> |

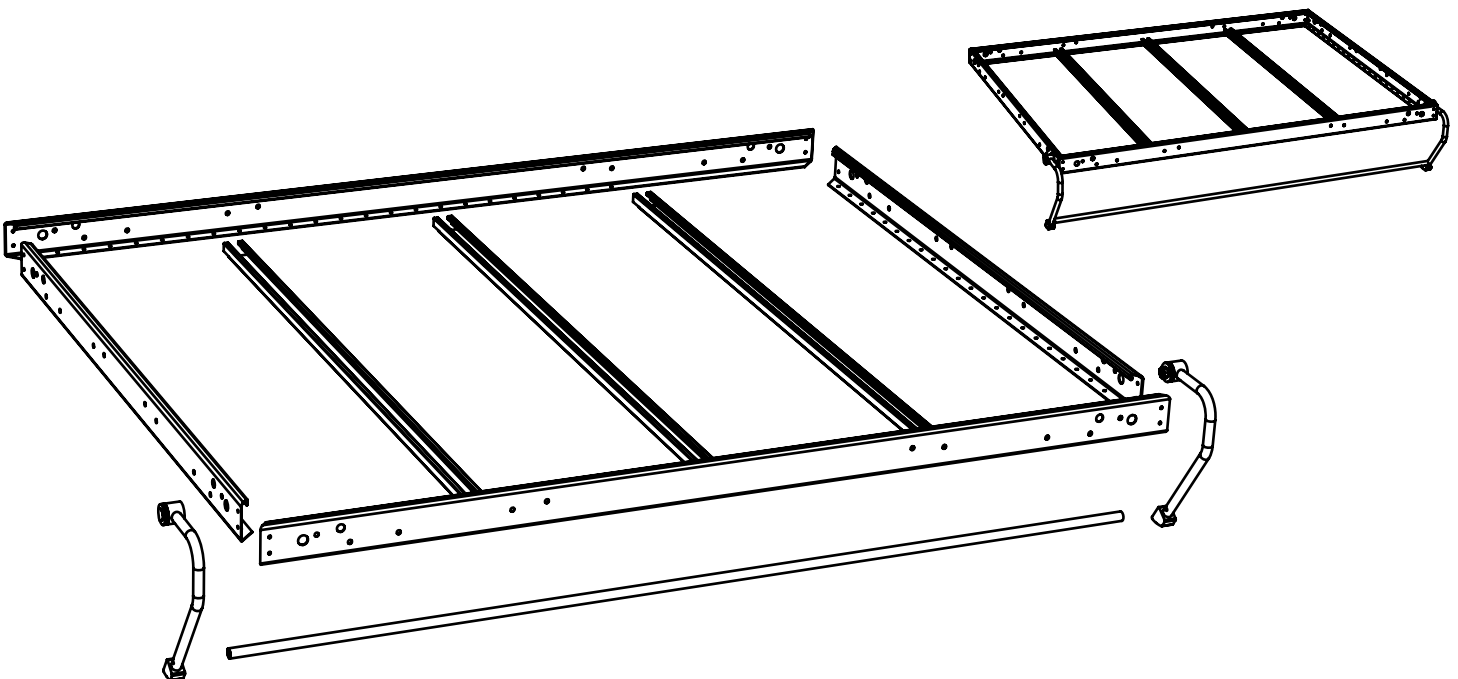
Component Layout

- The frame is adaptable as vertical or horizontal (side tilt) bed.
- Frame has mounting holes to use any of 4 Power Packs:
SBLM, SBLM-A, ACBM, GPLS

Frame laid out for assembly in the Vertical orientation.



Frame laid out for assembly in the Horizontal orientation.



Cabinet Cut List (Vertical Orientation)

For Use with Lift Mechanisms: SBLM

Numbers in parenthesis () are millimeters.

For use with 13" (330) or 11" (279) Leg Assemblies

Cabinets using 13" (330) Legs use a 2" (51) Facia and 4" (102) Kick. See page 12 for details.

| | |
|---|---|
| <p>Single / Twin Bed</p> <p>Mattress size: 39"x75" (990x1905) 12" (305) max thickness</p> | <p>Overall Cabinet Dimensions: 44 1/2"w x 83 1/4"h x 16"d (1130w x 2115h x 406d)</p> <p>Protrusion from wall: 85" (2146)</p> <p>Cabinet Material: 3/4" (18) MDF or Plycore</p> |
|---|---|

| Quantity | Description | Width | Length | Finish (Tape) Edges |
|----------|---|---------------|-----------------|---------------------|
| 2 | Bed Face Panel | 21 1/4" (540) | 77 5/16" (1964) | 4 Edges |
| 2 | Side Panel | 16" (406) | 83 1/4" (2115) | 2 Long Edges |
| 2 | Headboard (1) & Top Panel (1) | 14 1/4" (362) | 43" (1092) | 2 Long Edges |
| 1 | Top Facia with 13" (330mm) Leg or Bottom Kick with 11" (279mm) Leg | 2" (51) | 43" (1092) | 2 Long Edges |
| 1 | Bottom Rear Base | 6" (152) | 43" (1092) | 2 Long Edges |
| 1 | Bottom Kick with 13" (330mm) Leg or Top Facia with 11" (279mm) Leg | 4" (102) | 43" (1092) | 2 Long Edges |

| | |
|--|---|
| <p>Double / Full Bed</p> <p>Mattress size: 54"x75" (1372x1905) 12" (305) max thickness</p> | <p>Overall Cabinet Dimensions: 59 1/2"w x 83 1/4"h x 16"d (1511w x 2115h x 406d)</p> <p>Protrusion from wall: 85" (2146)</p> <p>Cabinet Material: 3/4" (18) MDF or Plycore</p> |
|--|---|

| Quantity | Description | Width | Length | Finish (Tape) Edges |
|----------|---|---------------|-----------------|---------------------|
| 4 | Bed Face Panel | 14 3/8" (365) | 77 5/16" (1964) | 4 Edges |
| 2 | Side Panel | 16" (406) | 83 1/4" (2115) | 2 Long Edges |
| 2 | Headboard (1) & Top Panel (1) | 14 1/4" (362) | 58" (1473) | 2 Long Edges |
| 1 | Top Facia with 13" (330mm) Leg or Bottom Kick with 11" (279mm) Leg | 2" (51) | 58" (1473) | 2 Long Edges |
| 1 | Bottom Rear Base | 6" (152) | 58" (1473) | 2 Long Edges |
| 1 | Bottom Kick with 13" (330mm) Leg or Top Facia with 11" (279mm) Leg | 4" (102) | 58" (1473) | 2 Long Edges |

| | |
|--|---|
| <p>Queen Bed</p> <p>Mattress size: 60"x80" (1524x2032) 12" (305) max thickness</p> | <p>Overall Cabinet Dimensions: 65 1/2"w x 88 1/4"h x 16"d (1664w x 2242h x 406d)</p> <p>Protrusion from wall: 90" (2273)</p> <p>Cabinet Material: 3/4" (18) MDF or Plycore</p> |
|--|---|

| Quantity | Description | Width | Length | Finish (Tape) Edges |
|----------|---|---------------|-----------------|---------------------|
| 4 | Bed Face Panel | 15 7/8" (403) | 82 5/16" (2090) | 4 Edges |
| 2 | Side Panel | 16" (406) | 88 1/4" (2242) | 2 Long Edges |
| 2 | Headboard (1) & Top Panel (1) | 14 1/4" (362) | 64" (1626) | 2 Long Edges |
| 1 | Top Facia with 13" (330mm) Leg or Bottom Kick with 11" (279mm) Leg | 2" (51) | 64" (1626) | 2 Long Edges |
| 1 | Bottom Rear Base | 6" (152) | 64" (1626) | 2 Long Edges |
| 1 | Bottom Kick with 13" (330mm) Leg or Top Facia with 11" (279mm) Leg | 4" (102) | 64" (1626) | 2 Long Edges |

Cabinet Cut List (Vertical Orientation) - continued

For Use with Lift Mechanisms: SBLM

Numbers in parenthesis () are millimeters.

For use with 13" (330) or 11" (279) Leg Assemblies

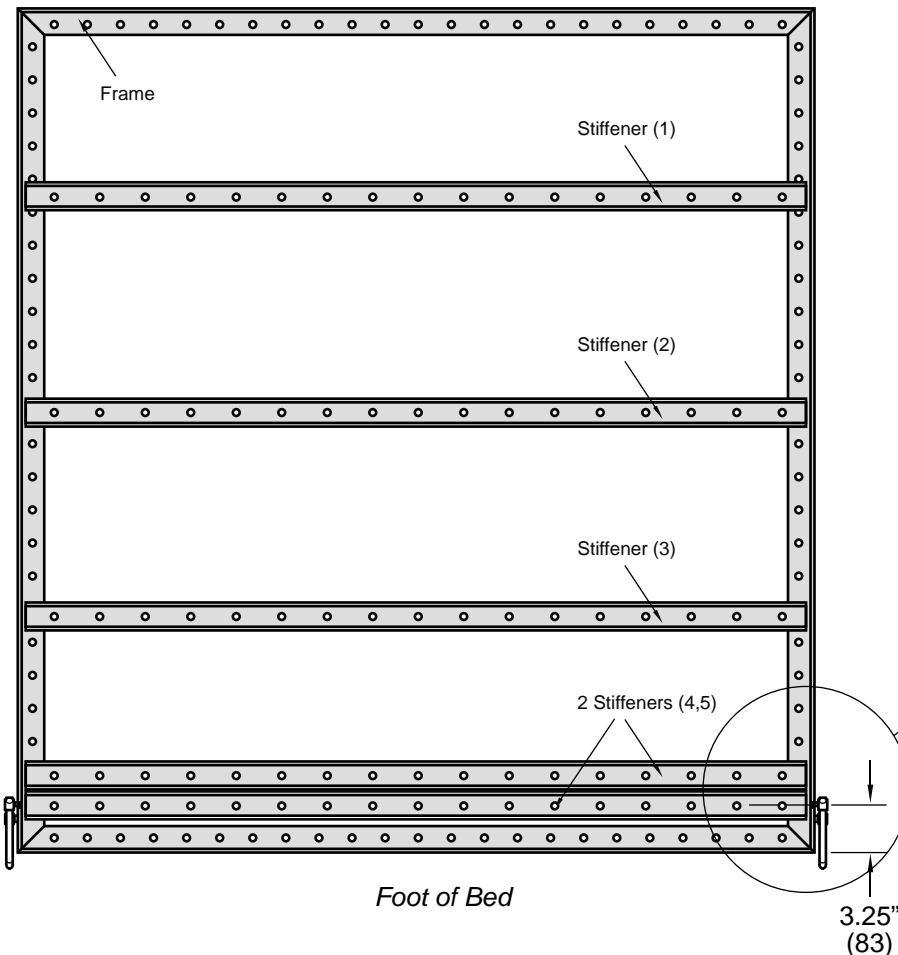
Cabinets using 13" (330) Legs use a 2" (51) Facia and 4" (102) Kick. See page 11 for details.

| Quantity | Description | Width | Length | Finish (Tape) Edges |
|---|---|---|-----------------|---------------------|
| King Bed Mattress size: 76"x80" (1930x2032) 12" (305) max thickness | | Overall Cabinet Dimensions: 81 1/2"w x 88 1/4"h x 16"d (2070w x 2242h x 406d) Protrusion from wall: 90" (2286) Cabinet Material: 3/4" (18) MDF or Plycore | | |
| 4 | Bed Face Panel | 19 7/8" (505) | 82 5/16" (2091) | 4 Edges |
| 2 | Side Panel | 16" (406) | 88 1/4" (2242) | 2 Long Edges |
| 2 | Headboard (1) & Top Panel (1) | 14 1/4" (362) | 80" (2032) | 2 Long Edges |
| 1 | Top Facia with 13" (330mm) Leg or Bottom Kick with 11" (279mm) Leg | 2" (51) | 80" (2032) | 2 Long Edges |
| 1 | Bottom Rear Base | 6" (152) | 80" (2032) | 2 Long Edges |
| 1 | Bottom Kick with 13" (330mm) Leg or Top Facia with 11" (279mm) Leg | 4" (102) | 80" (2032) | 2 Long Edges |

Recommended Stiffener Placement for King Beds

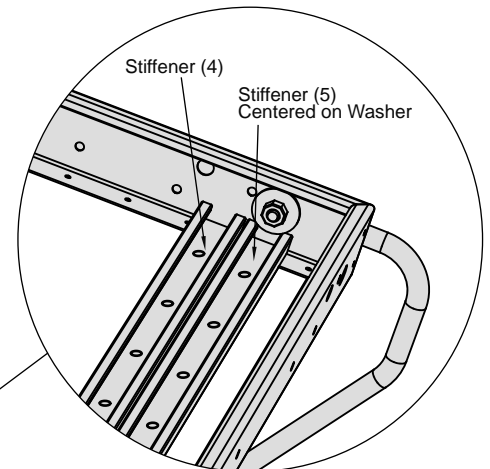
Plan View

Head of Bed



Use 5 stiffeners total:

- 3 - equally spaced head to foot
- 2 - against inside of End Rail (foot end) to provide added strength.



Cabinet Cut List (Horizontal Orientation)

Cabinet Components Description & Cut List (for both 11" & 13" legs). See pg. 18 for assembly.

Cabinet Material: 3/4" (19) MDF or Plycore Numbers in parenthesis () are millimeters.

| # | Qty | Description | Single | Double | Queen | Edge Band |
|----|-----|---|-----------------------------|-----------------------------|----------------------------------|--------------|
| 1 | 2 | Bed Face Panel | 39" x 41 3/4" (990x1060) | 39" x 56 3/4" (990x1441) | 41 1/2" x 62 3/4" (1054x1594) | 4 Edges |
| 2 | 2 | Side Panel for 11" (270) Leg | 16" x 47 3/4" (406x1213) | 16" x 62 3/4" (406x1594) | 16" x 68 3/4" (406x1746) | 2 Long Edges |
| | | Side Panel for 13" (330) Leg | 16" x 49 3/4" (406x1264) | 16" x 64 3/4" (406x1645) | 16" x 70 3/4" (406x1797) | 2 Long Edges |
| 3 | 1 | Top Panel | 16" x 78 1/2" (406x1994) | 16" x 78 1/2" (406x1994) | 16" x 83 1/2" (406x2121) | 2 Long Edges |
| 4 | 1 | Top Facia | 2" x 78 1/2" (51x1994) | 2" x 78 1/2" (51x1994) | 2" x 83 1/2" (51x2121) | 2 Long Edges |
| 5 | 1 | Top Facia Stiffener | 3" x 78 1/2" (76x1994) | 3" x 78 1/2" (76x1994) | 3" x 83 1/2" (76x2121) | 2 Long Edges |
| 6 | 2 | Top Rear Stiffener (1), Bottom Rear Base (1) | 4" x 78 1/2" (102x1994) | 4" x 78 1/2" (102x1994) | 4" x 83 1/2" (102x2121) | 2 Long Edges |
| 7 | 2 | Kick & Kick Stiffener for 11" (270) Leg | 2" x 78 1/2" (51x1994) | 2" x 78 1/2" (51x1994) | 2" x 83 1/2" (51x2121) | 2 Long Edges |
| | | Kick & Kick Stiffener for 13" (330) Leg | 4" x 78 1/2" (51x2045) | 4" x 78 1/2" (51x2045) | 4" x 83 1/2" (51x2172) | 2 Long Edges |
| 8 | 1 | Head Board | 15" x 78 1/2" (381x1994) | 15" x 78 1/2" (381x1994) | 15" x 83 1/2" (381x2121) | 2 Long Edges |
| 9 | 1 | Head Board Stiffener | 6" x 78 1/2" (152x1994) | 6" x 78 1/2" (152x1994) | 6" x 83 1/2" (152x2121) | 0 Edges |
| 10 | 1 | Panel Connector | 3" x 37" (76x940) | 3" x 52" (76x1321) | 3" x 58" (76x1473) | 0 Edges |



Cabinet Footprint Dimensions & Protrusion Distance from Wall (Horizontal)

Numbers in parenthesis () are millimeters.

| | Single | Double | Queen |
|------------------------|--|--|--|
| Cabinet Size (D,W,H) | 16" x 80" x 49 3/4" (406 x 2032 x 1264) | 16" x 80" x 64 3/4" (406 x 2032 x 1645) | 16" x 85" x 70 3/4" (406 x 2159 x 1797) |
| Projection from Wall | 49" (1245) | 64" (1626) | 70" (1778) |
| Max Mattress Size | 39" x 75" (990 x 1905) | 54" x 75" (1372 x 1905) | 60" x 80" (1524 x 2032) |
| Max Mattress Thickness | 12" (305) | 12" (305) | 12" (305) |

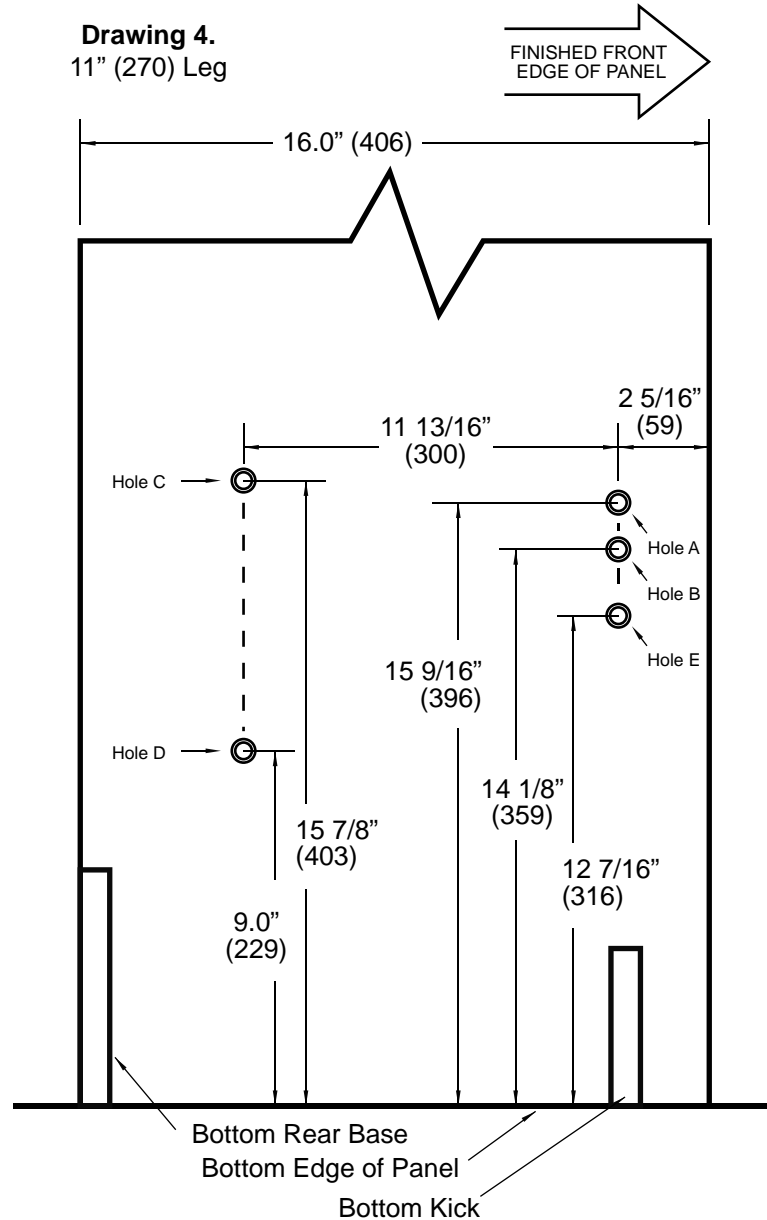
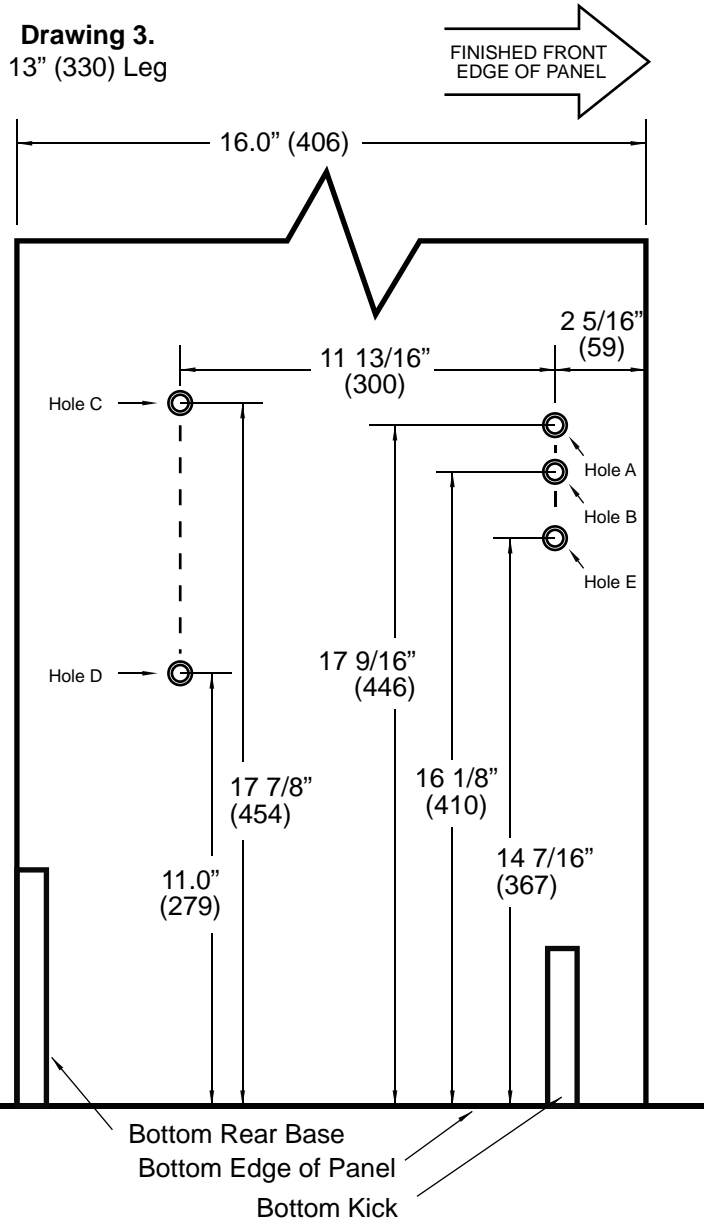
Step by Step Instructions

STEP 1: Mount the Lift Mechanism to the Side Panels

Refer to Drawing 3. when using the 13" (330 mm) Leg
 Refer to Drawing 4. when using the 11" (279mm) Leg
 Drill Patterns in Drawings 3 & 4 are only for the SBLM Lift Mechanism
 Numbers in parenthesis () are millimeters.

1. Exactly mark the mounting holes on the inside of each side panel.
2. Drill a 1/16" (2mm) pilot hole for each mounting bolt. Drill the final hole with a 5/16" (8mm) bit.
3. Counter sink 5/8" (15mm) on the outside of the panels just deep enough for the 5/16" x 1 1/4" (8x32mm) Machine Screws.
4. Mount the Lift Mechanisms.

NOTE: All location measurements are from the front edge of the Cabinet Side Panels.
 Refer to Drawings 3 & 4.



STEP 2: Install the springs on the Lift Mechanisms

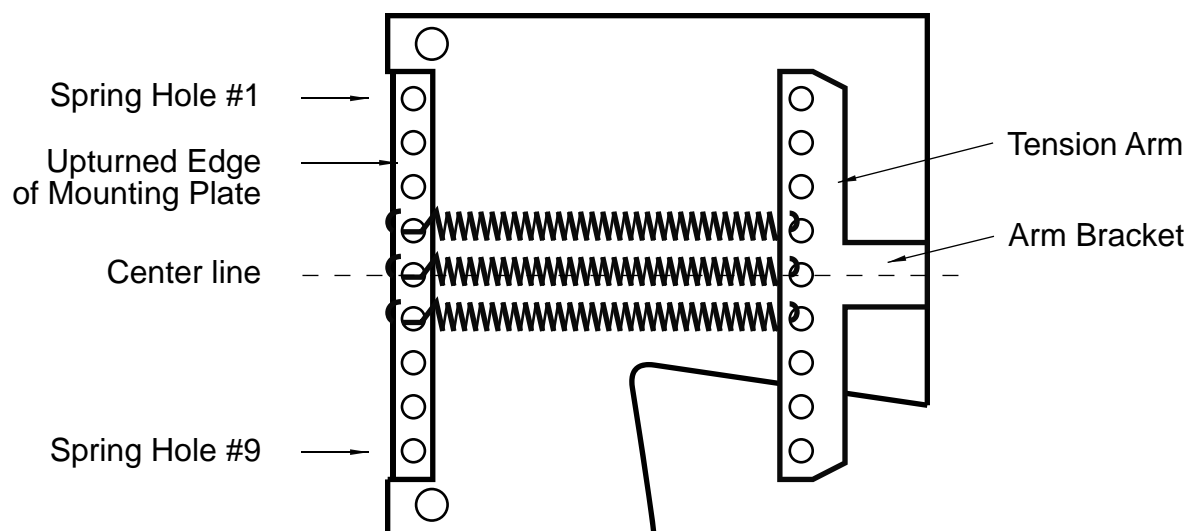
| SPRING APPLICATION CHART | | |
|--|---------------------------|-----------------------|
| Please Note: These are recommendations only. Actual number of springs required will depend on the total weight of the bed-face unit including the mattress and all bedding. | | |
| BED SIZE | BED PANEL MATERIAL | |
| | Plywood Core | Particle Board |
| Single/Twin | 4-5 springs per side | 5-6 springs per side |
| Double/Full | 6-7 springs per side | 7-8 springs per side |
| Queen | 7-8 springs per side | 8-9 springs per side |
| King | 9 springs per side | not recommended |

After you have completed installing and checking the operation of your bed, you may find it necessary to add or remove springs to achieve the correct lift effort of between 5 to 10 pounds.

There are nine locations for springs. If the bed requires an even number of springs, do not use the center hole (#5 from the top). If the bed requires an odd number of springs, start with the center hole (#5 from the top) and work outward in both directions evenly.

Hook the springs so the open ends are facing outward. You may have to gently pry up the tension arm and slide the spring under and snap them into place in the proper hole, matching the same numbered hole from the top of the mechanism back plate. You should have an equal number of springs on each side of the center hole.

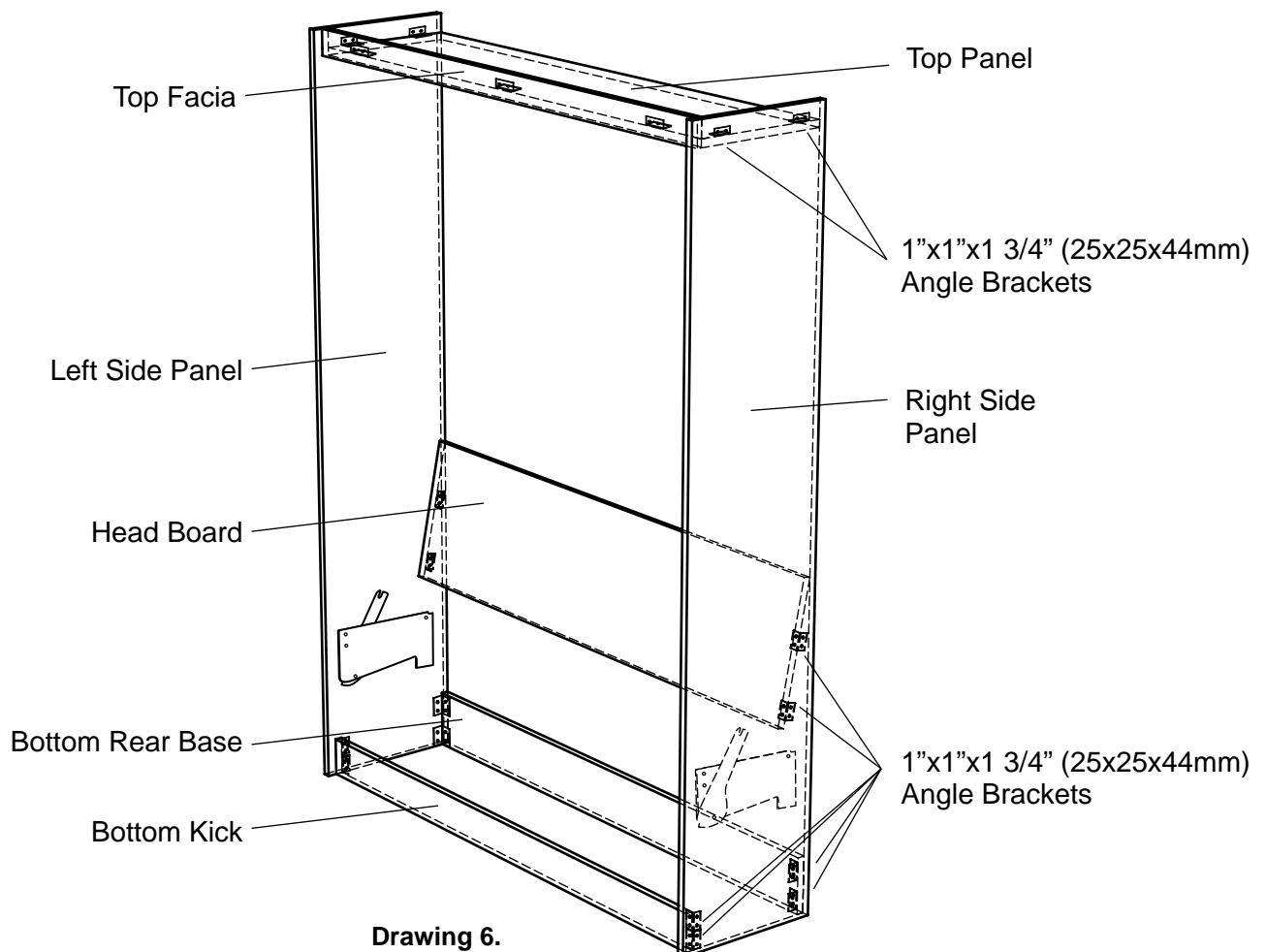
Use the same number of springs and the same layout on both the left and right mechanisms.



Drawing 5.

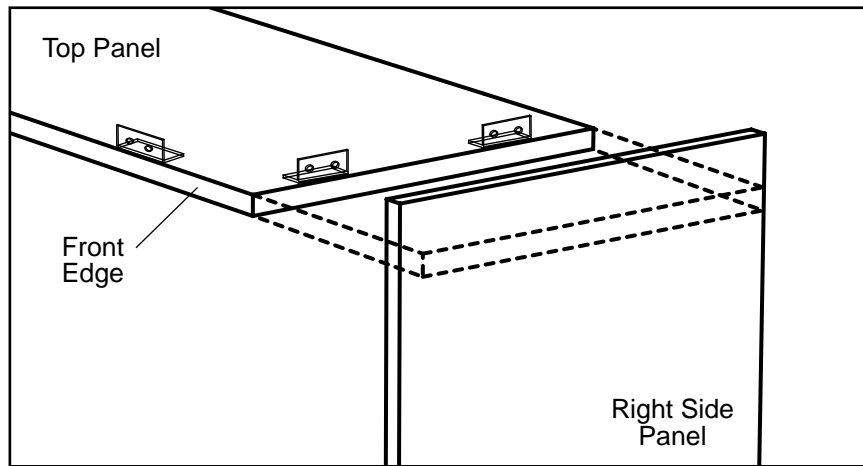
STEP 3: Assemble the Bed Cabinet (Vertical Orientation)

- If possible, the Bed Cabinet should be assembled in the room where it will be used.
 - Be sure Lift Mechanisms are securely installed.
1. Locate the mounting position of the headboard marking the left and right side panels 20" (508mm) from the floor and 3" (76mm) in from the back edge of the panels. Note from Drawings 6 & 7 that this mounts the bottom edge of the headboard out 3" (76mm) from the back or wall edge of the Side Panels. Use the 1"x1"x1 3/4" (25x25x44mm) mounting brackets (2 each side). Be sure the top bracket is set low enough not to protrude beyond the back of the cabinet. Use #8x3/4" (M4x19mm) Pan head Screws. The Headboard location may vary slightly; just be sure it is secure and at the approximate 3" (76mm) distance from the back edge.
 2. Use Angle Brackets to assemble Bottom Rear Base and Bottom Kick in position shown in Drawings 6 & 7. Use two Angle Brackets on each end.
 3. Attach Top Panel as shown in Drawings 6 & 7. Be sure back edge of the Top Panel is flush with back of Side Panels and 1 1/4" (32mm) down from the top of the Side Panels so it is flush with the bottom edge of the Top Facia. The Top Facia will cover the front edge of the Top Panel.

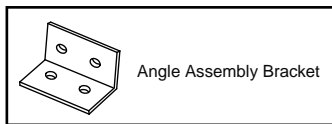


STEP 3: Assemble the Bed Cabinet (Vertical Orientation) continued

Numbers in parenthesis () are millimeters.



Drawing 8.



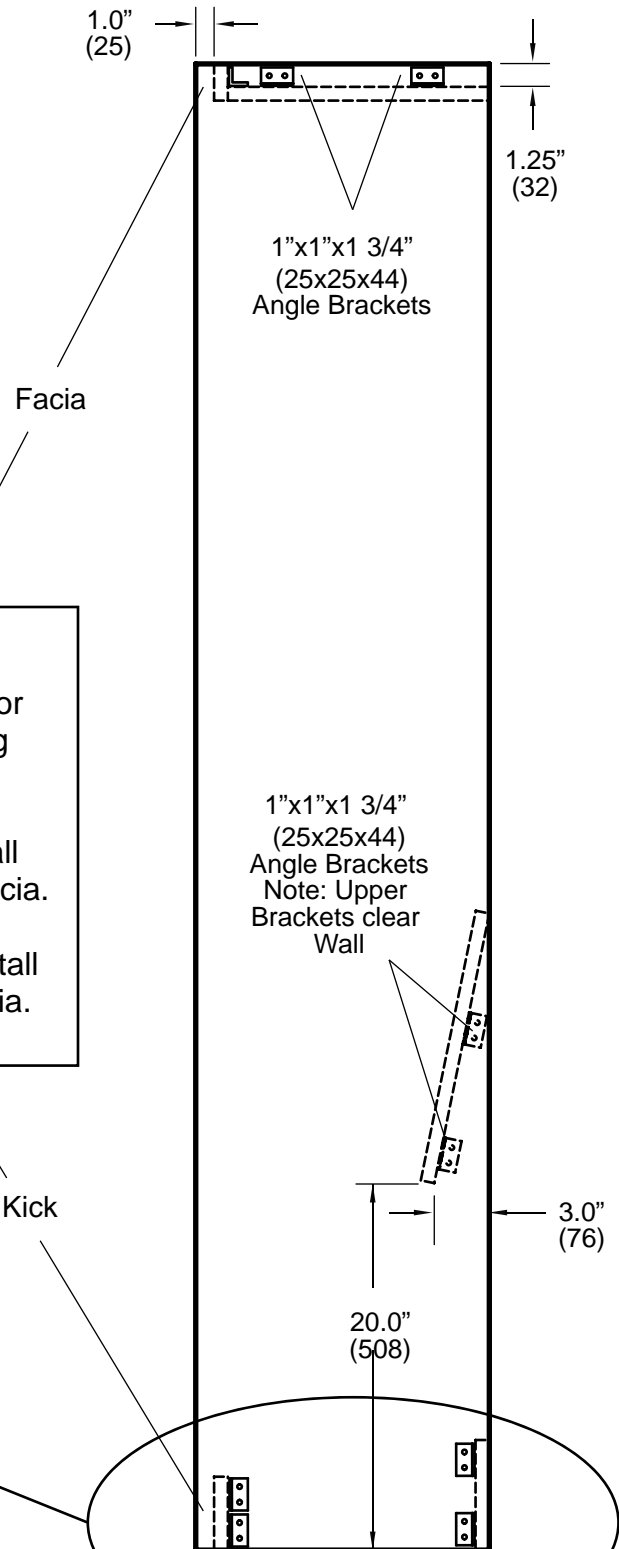
Angle Assembly Bracket

NOTE:

Top Facia and Bottom Kick cabinet parts are interchangeable for use with either the 11" (279) Leg Assembly or the 13" (330) Leg Assembly. Follow these directions:

When using the 11" (279) Bed Leg Assembly, use the 2" (51) tall board as the Bottom Kick and the 4" (102) board as the Top Facia.

When using the 13" (330) Bed Leg Assembly, use the 4" (102) tall board as the Bottom Kick and the 2" (51) board as the Top Facia.

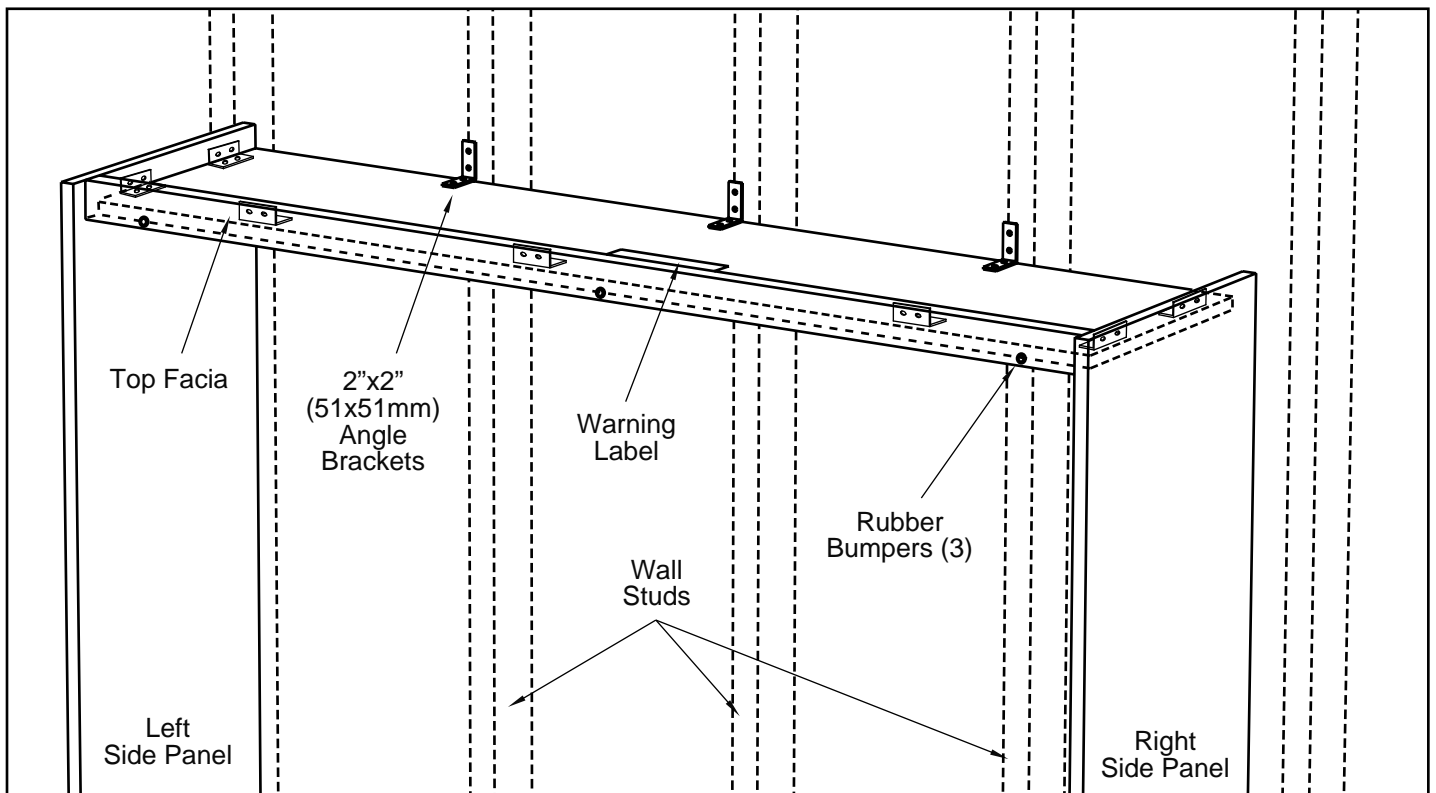


Drawing 7.

STEP 4: Attach Bed Cabinet Securely to Wall

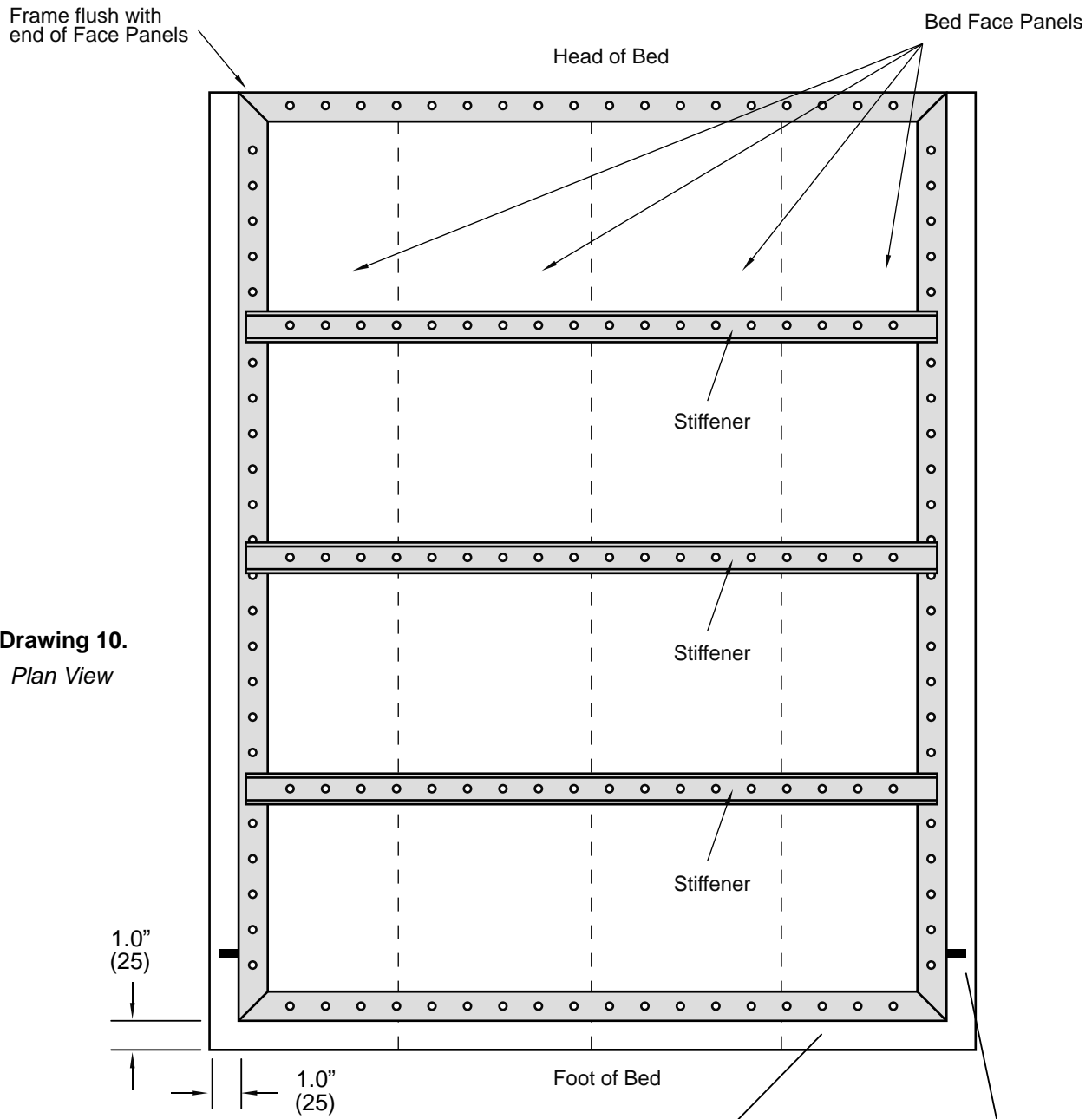
Hints: If the room is carpeted you may raise the kick up to 1/4" (7mm) to clear the carpet. More than 1/4" (7mm) will obstruct the operation of the bed.

- You may or may not wish to remove the Base Board to allow the Bed Cabinet to fit flush against the wall. If you do remove the Base Board, save for later trim and replacement. If you do not wish to remove the Base Board, you may use a shim or filler strip of the same thickness at the top between the cabinet and the wall.
1. Place cabinet against wall. Make sure the cabinet is level and square. Measure diagonally to be sure of square. Bed will not operate if cabinet is not square. Check also for square from front to back as well as side to side. Use shims where necessary.
 2. Prior to placing cabinet against the wall, locate 3 studs or other wall frame members at the level of the Top Panel (top of bed).
Alert: The cabinet must be secured to studs or other wall structural members using 2" x 2" (51x51mm) L-Brackets. If the wall is not a wood stud wall, use metal stud screws, toggle bolts or concrete expansion bolts if necessary.
 3. Now that the cabinet is square and plumb, use two #8x2" (M4x51mm) flat head wood screws in each of three 2"x2" (51x51mm) brackets to attach to studs at the top level of the Top Panel (see Drawing 9.). Re-check square and plumb and then secure 2"x2" (51x51mm) L-Brackets to Top Panel with #8 x 3/4" (M4x19mm) wood screws. Attach warning label to top of cabinet. Attach three Bumper Buttons to bottom of the front edge of the Top Facia. These Bumpers allow the Bed Face Panel to close quietly.

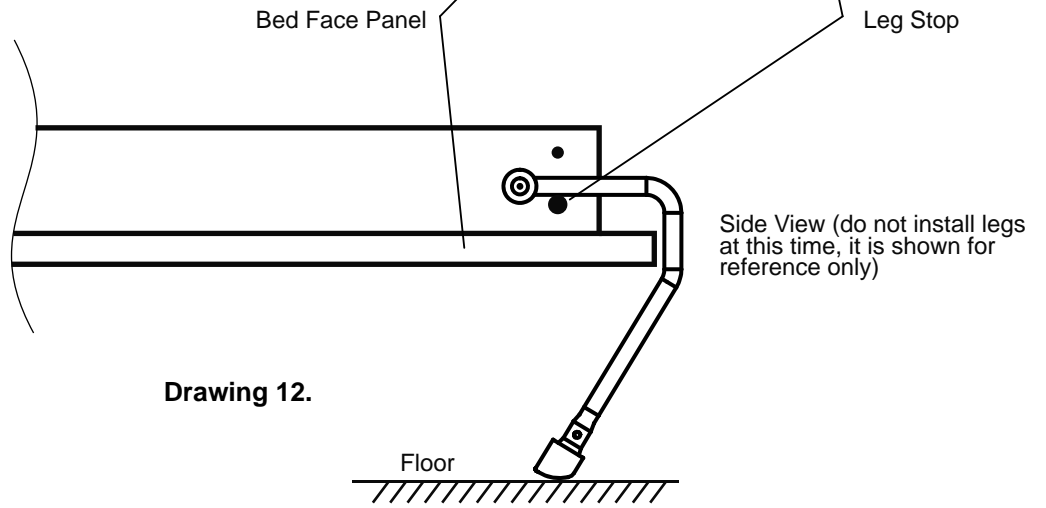


Drawing 9.

STEP 5: Assemble Steel Bed Frame to Face Panels



Drawing 10.
Plan View



Drawing 12.

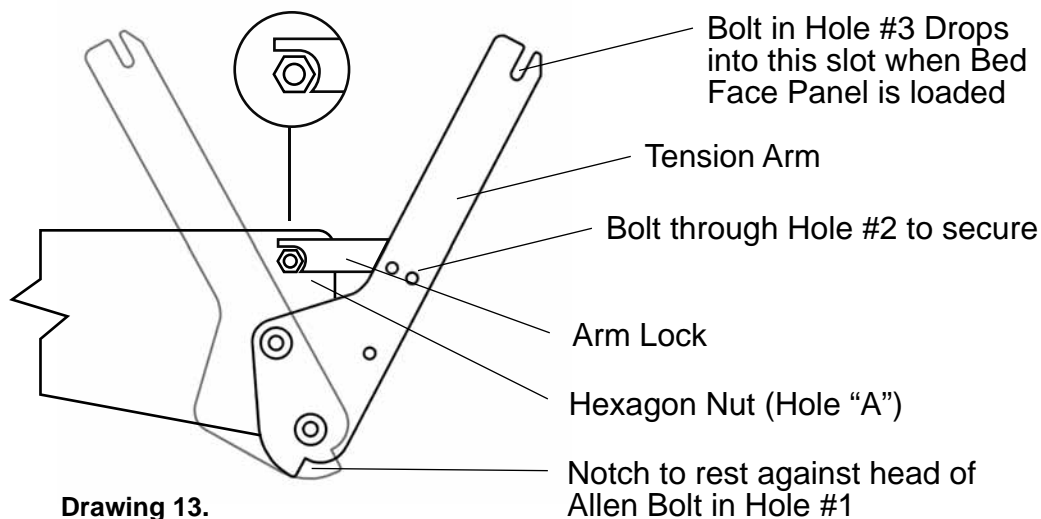
STEP 5: Assemble Steel Bed Frame to Face Panels, continued

- 1: Lay the Bed Face Panels down on a non-scratch surface such as a carpet or blanket.
- 2: Completely assemble the 4 Frame Sections with the corner brackets and the 3/16"x1/2" (M5x12mm) black bolts provided. Refer to Drawing 12 to properly place the leg stops at outer right and left bottom holes at the foot of the bed frame.
- 3: Position the bed frame on the bed face panels. With the Head Frame section flush with the head end of the Bed Face Panels. Refer to Drawing 10. Carefully attach the Bed Frame so it is centered on the Bed Face Panels; you will have approximately 15/16" (24mm) space from the bed frame to the panel edges right and left and at the bed foot.

Note: It is very important to have the Bed Frame centered on the Bed Face Panels. Any error will be noticed in the vertical sight lines when the bed is closed.

- 4: Three steel stiffeners are provided for all beds (5 for King). These notched stiffeners should be located and attached to divide the Bed Face length into four equal sections. Use caution not to damage raised panels by putting screws in recessed areas. Note: King Beds have 5 stiffeners (see diagram on pg. 6 for placement).
- 5: Attach the Nylon Web Strap approximately 18" (460mm) down from the foot of the bed and 6" (150mm) in from the sides, for tucking in sheets. The Straps help secure the mattress in the vertical position.

STEP 6: Set the Lift Mechanism



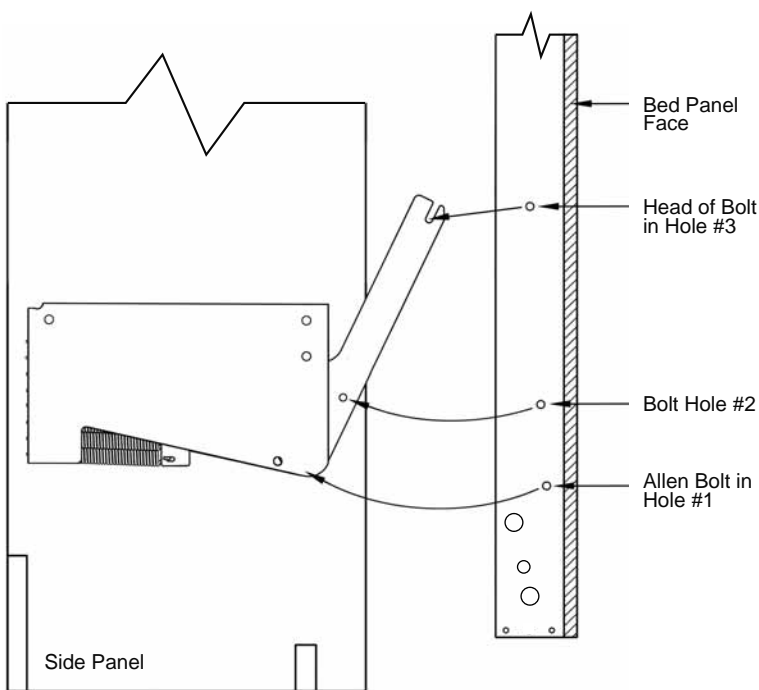
Holding one foot against the bottom front edge of the side panel and using the 13" (330mm) PVC tube, lever the tension arm out until you can set the arm lock to the hex nut at the hole A (see drawing 13.). This is the hex nut at the top front corner of the mechanism.

Caution:

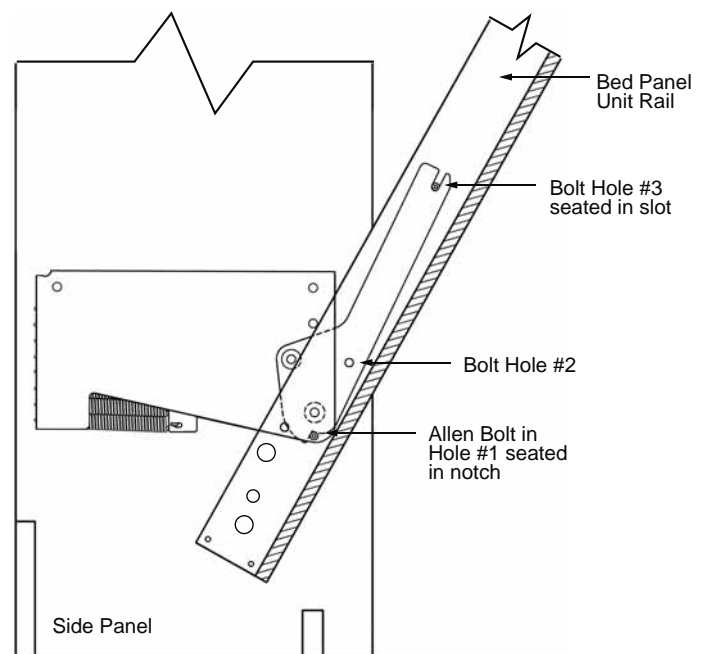
If possible have a helper assist in the setting of the mechanism and loading of the bed face panel. DO NOT reach behind the tension arm when you are doing the setting procedure.

STEP 7: Install the Bed Face Panel Unit

1. Insert Allen Head Bolts through Hole #1 (10 7/16" from end of side frame) on both left and right side frames (see Drawing 14). Thread on 5/16" (8mm) Nylock nuts and securely tighten.
2. Insert two 5/16" (M8x20mm) Hex Head Bolts from the outside of the frame through Hole #3 and put 5/16" (8mm) Nylock Nuts on these bolts only finger tight at this time.
3. Stand the Bed Face Panel in vertical position between the tension arms, lift evenly until the bolt in Hole #3 drops in the slotted end of each tension arm. Gently tilt the bed face toward you until the Allen Bolts in Hole #1 are completely seated in the bottom notch of the tension arms. Insert the remaining 5/16" (8mm) Hex Head Bolts through tension arms into Holes #2 and fasten with 5/16" (8mm) Nylock Nuts; securely tighten these and the nuts on Hole #3.



Drawing 14.



Drawing 15.

4. When all bolts are securely tightened, you may tilt the panel outward to approximately 45 degrees to release the arm locks. You will hear a click as they disengage.

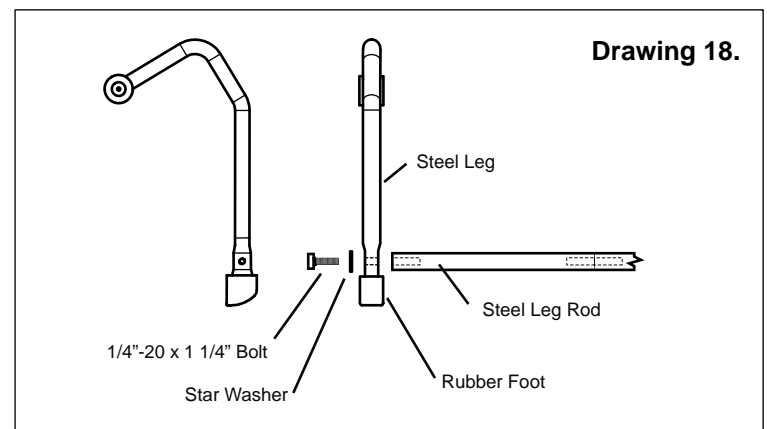
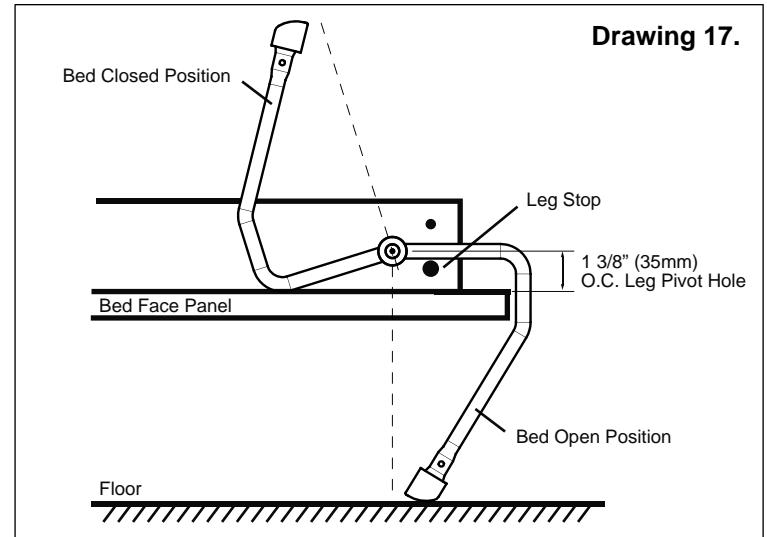
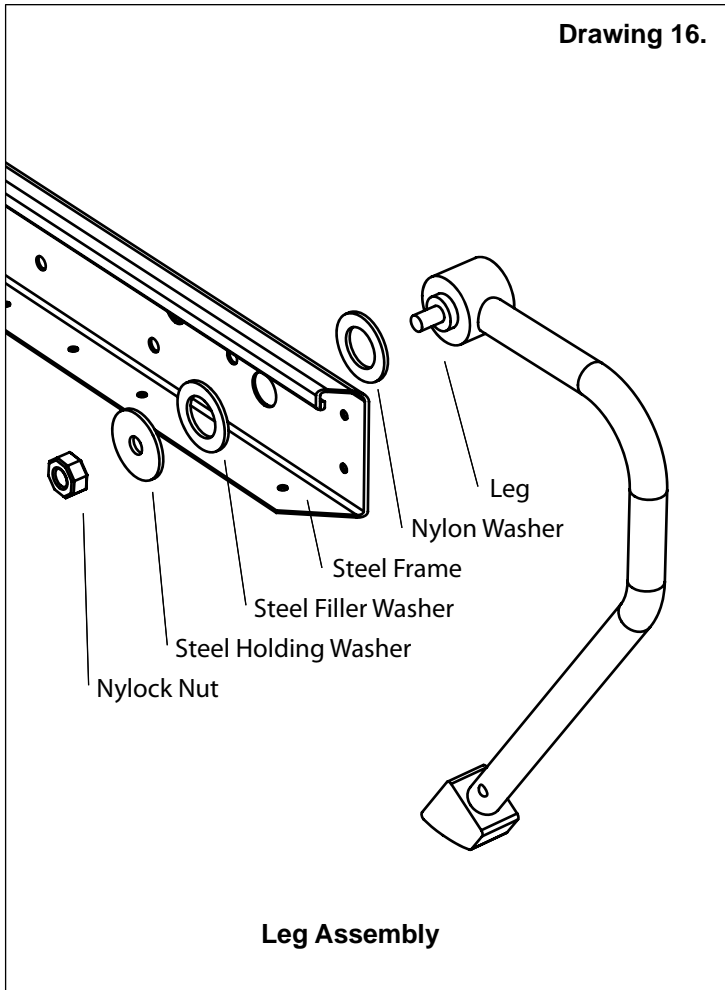
Caution:

Hold the Face Panel securely, Do Not let it slam shut. Balance is not achieved until the mattress is loaded in the bed.

Leveling of the bed cabinet is essential. Check the level both side to side and front to back. Proper leveling will facilitate proper closure and exact sight lines of the fit of the Face Panel to the Cabinet.

STEP 8: Install Handles - Legs - Mechanism Covers - Mattress

1. Position and secure handles for ease of operation. Measure down approximately 36" (914mm) from the panel top to the top of the handles.
2. Install legs with the washers on the inside of the Rails and the Nylon washer on the outside. Tighten nut to have a small amount of friction when leg assembly is rotated from the up to down position.

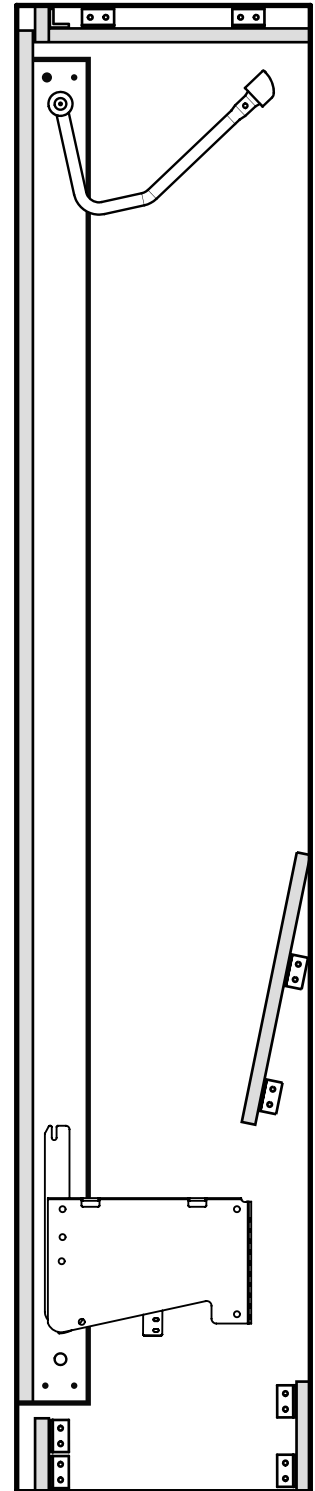
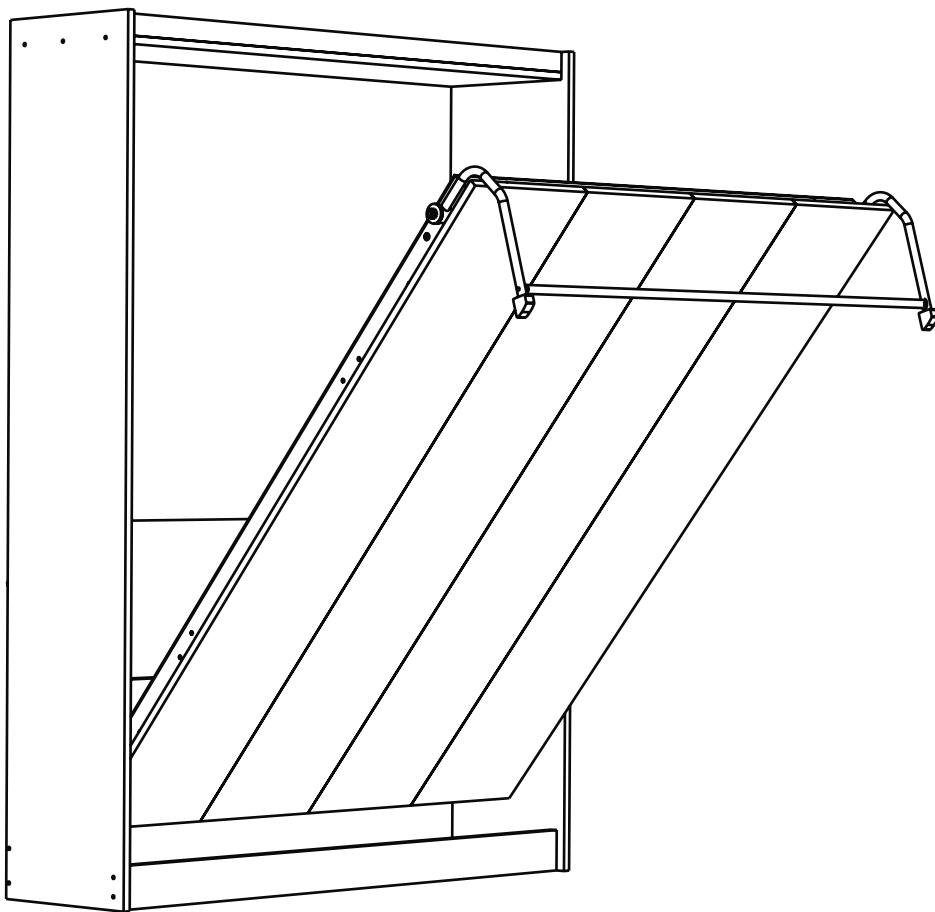


3. Install leg connector rod between legs and secure with 1/4"x1 1/4" (M4x32mm) Hex head bolts and star washers. Be sure they are securely tightened so not to become loose.
4. Install the mattress and secure with previously installed Nylon Straps.
5. Snap the powder coated steel mechanism covers in place - secure with #8x1 1/4" (M4x32mm) black wood screws through the standoff on the backer plate.

Complete Bed Assembly

Follow up to Initial Assembly

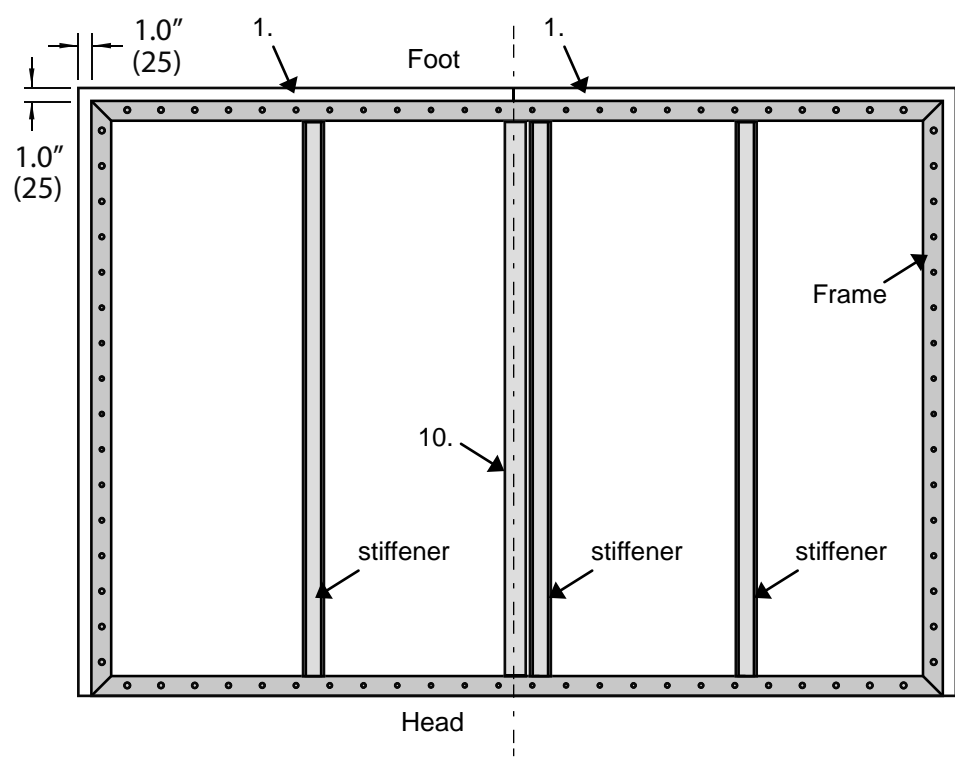
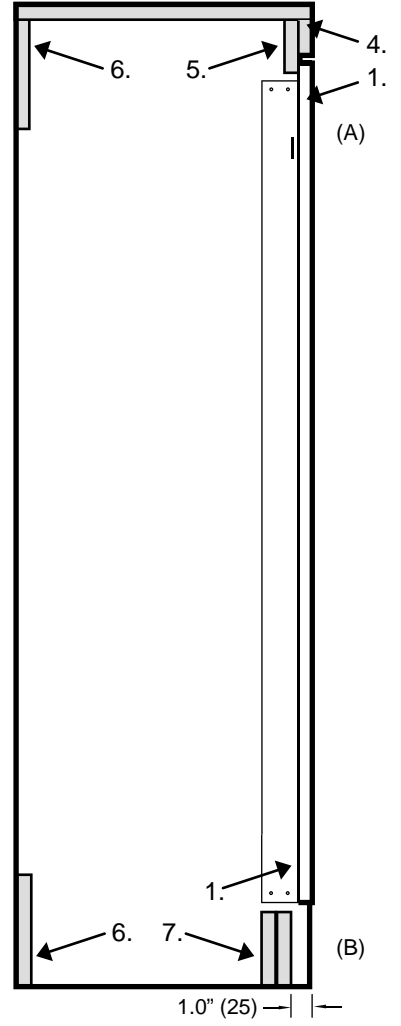
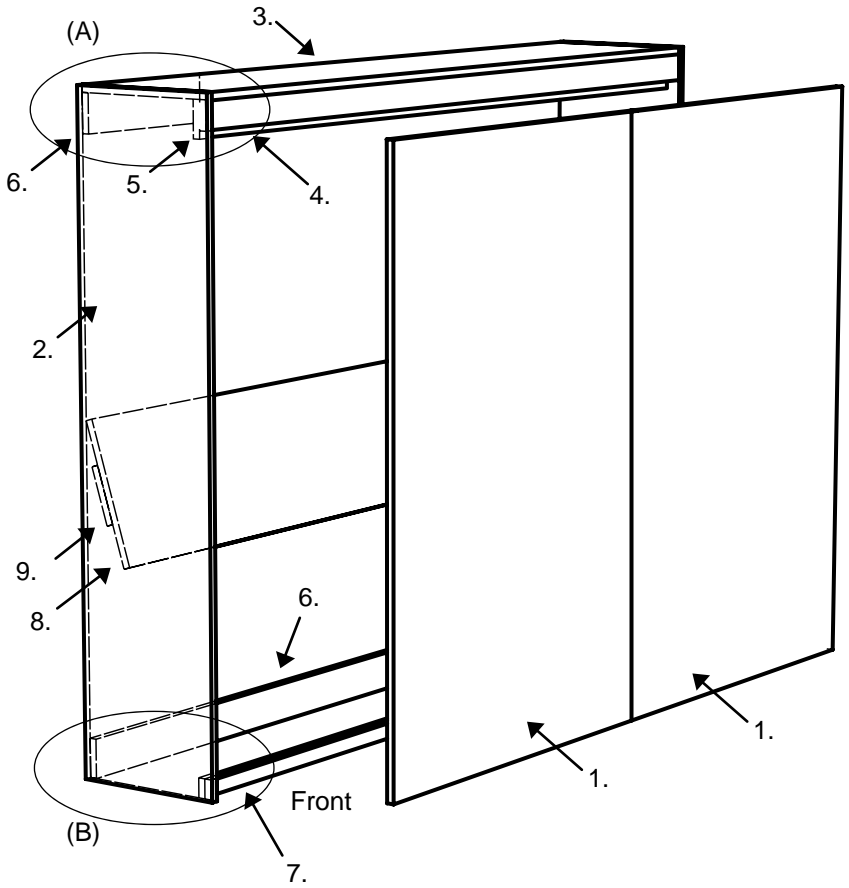
Check that the Bed Cabinet is level and square so the Bed Face has equal clearance of the Cabinet on both sides, top to bottom. If the Cabinet is leaning to one side, nudge it at the floor level. If the top is uneven, place shims under the Side Panels. If bed is too heavy to operate easily or slams shut, remove the Bed Face Panel and add or subtract springs. At this time, you may decide to use one more or less spring(s) on the left or right side Lift Mechanism.



Right Side
Looking through Side Panel.

Bed Assembly (Horizontal Orientation)

For Power Packs:
#SBLM:
 Spring Balance Lift Mechanism
#SBLM-A:
 Spring Balance Lift Mechanism Adjustable



It is recommended to reinforce the vertical seam where the face panels meet with a 3/4"x3" (18x76mm) wood stiffener held in place with wood screws to the face panels. Use the steel stiffeners as well; one next to the wood stiffener and the other two equally spaced.