

Murphy Wallbed Systems, Inc.

2650 N. Lakeview #308

Chicago, IL 60614

Ph (773) 248-5188 Fax (773) 281-6430

Toll Free (877) 887-1717

(Previously Murphy Beds Chicago)

Murphy Bed Assembly – Bi-Fold Closure

Model # MB

MB-S - Single/Twin

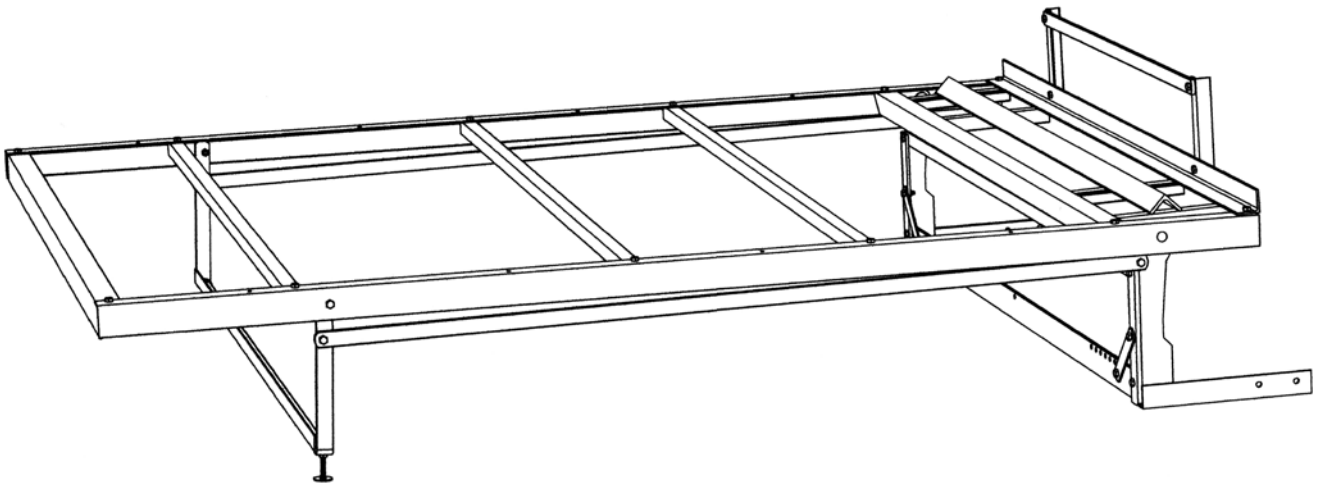
MB-D - Double/Full

MB-Q - Queen

This Product may be covered by one or more patents or patents pending in the United States and Foreign Countries

MURPHY BED ASSEMBLY


Murphy Wallbed Systems, Inc.




MURPHY BEDS - HARDWARE BOX CONTENTS

 (1) Right Floor Yoke
11.5"x11.5"

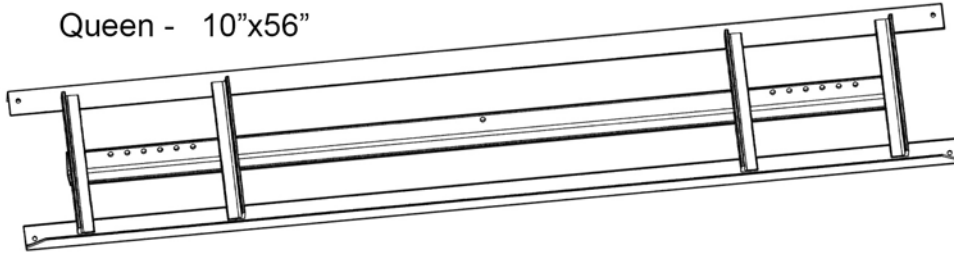
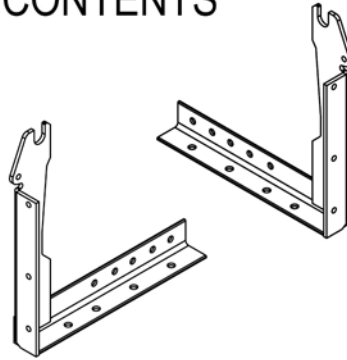
RFY


 (1) Left Floor Yoke
11.5"x11.5"

LFY

 (1) Weldment
Single - 10"x35"
Double - 10"x50"
Queen - 10"x56"

SWELD
DWELD
QWELD



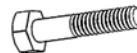
 (24) Hex Hd. Screws
1/4"-20 x 3/4"


UMB75



 (6) Hex Hd. Screws
1/4"-20 x 1.25"

UMB125



 (34) Nylon Insert Blk. Locknuts
1/4"-20

UMNNYL



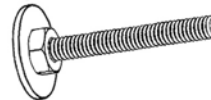
 (8) Concrete Anchors

UMANC



 (2) Leg Levellers

UMLEV



 (4) Nylon Washers

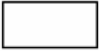
UMWNY



 (2) Nylon spacers
.500"-O.D. x .26"-I.D.


UMSPNY



 (2) Zinc Washers
3/4"-O.D. x 3/16"

ZW



 (2) Quadrex Pan Hd. Screws
8 x 5/8"

PHS-.625




 (2) Velcro Straps


VS-46

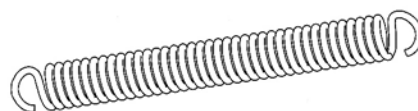


 (6) Springs-Single












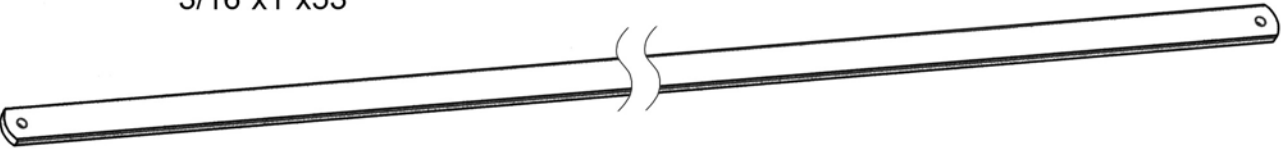

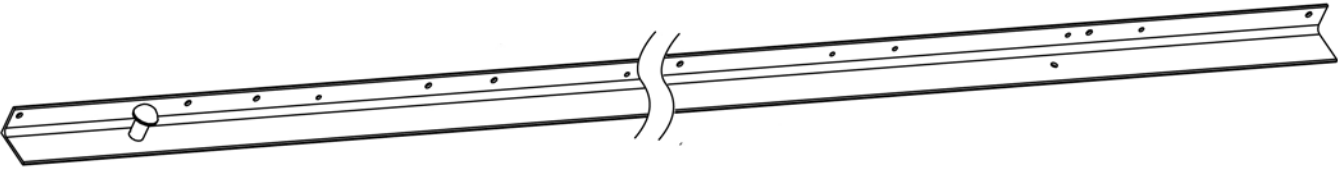

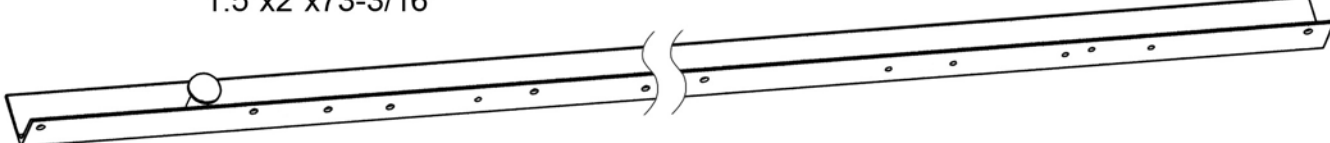
1225

 (8) Springs-Double

 (10) Springs-Queen

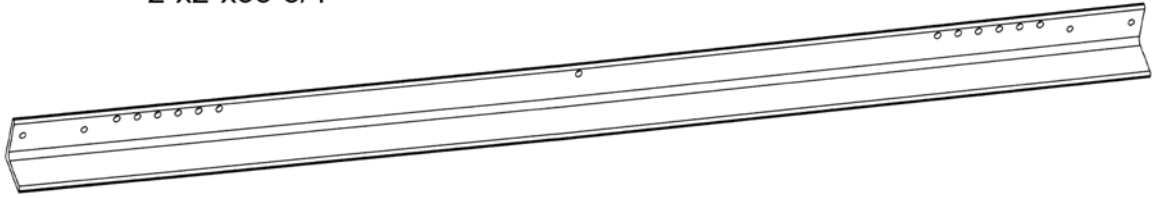


MURPHY BEDS - UNIVERSAL BOX CONTENTS

	(1) Right Leg 3/16"x1"x11"		U-RL
	(1) Left Leg 3/16"x1"x11"		U-LL
	(2) Angle Braces 1/8"x1"x5-1/4"		U-AB
	(2) Mattress Arms 1"x1"x6-1/2"		U-MA
	(1) Mattress Retainer Bar 1/4"x1"x33"		U-MRB
	(2) Leg Actuator Bars 3/16"x1"x53"		U-LAB
	(1) Right Side Rail 1.5"x2"x73-3/16"		U-RSR
	(1) Left Side Rail 1.5"x2"x73-3/16"		U-LSL

MURPHY BEDS - SINGLE ANGLE BOX CONTENTS

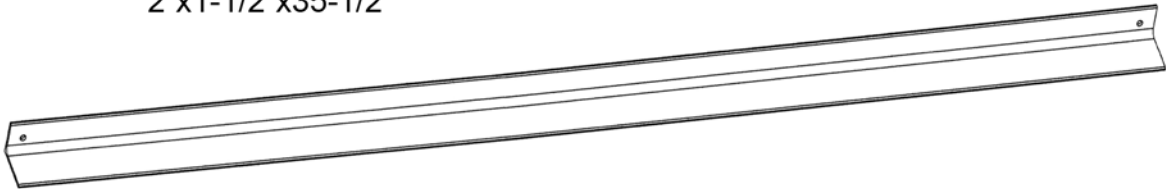
 (1) Bottom Spring Bar S-BSB
2"x2"x33-3/4"




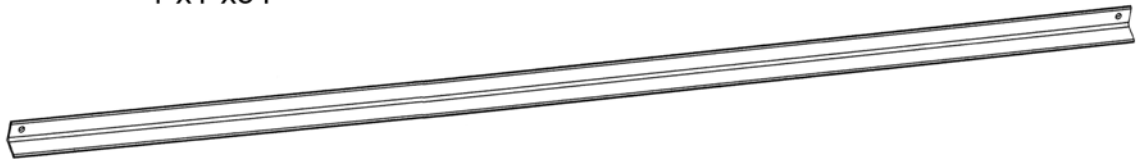
 (1) Yoke Connector Bar S-YCB
1/8"x1"x33-3/4"



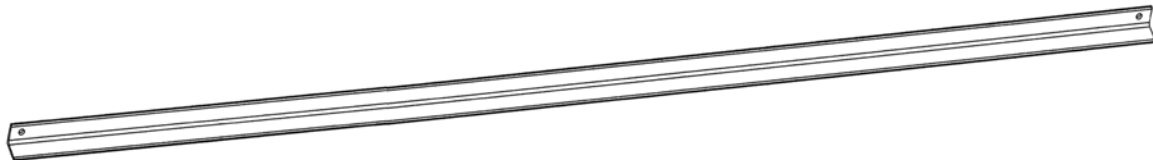
 (1) Foot Rail S-FR
2"x1-1/2"x35-1/2"




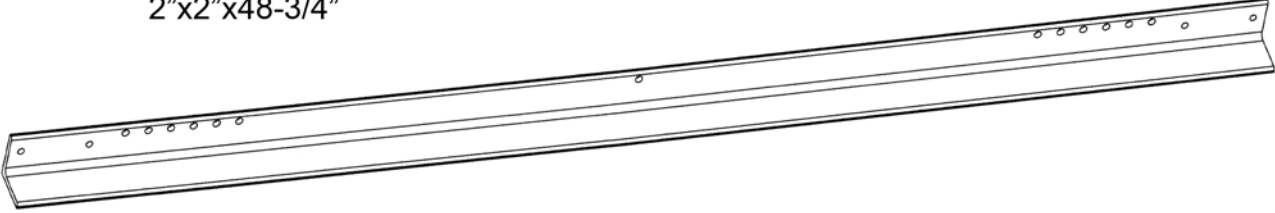



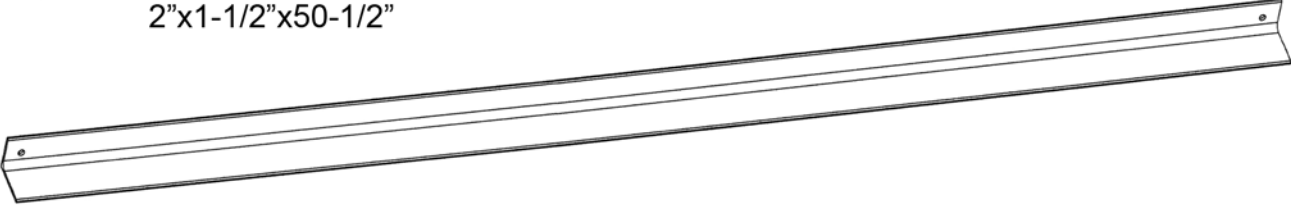

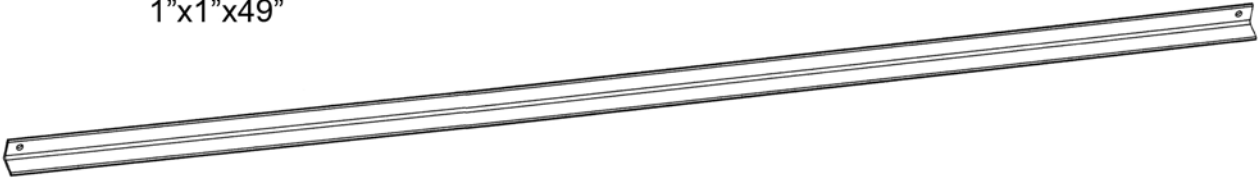

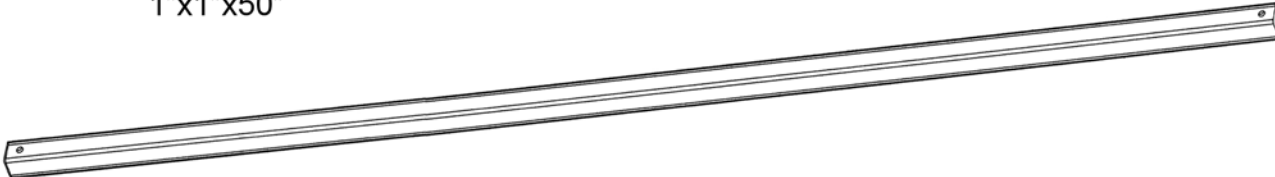
 (1) Leg Connector Bar S-LCB
1"x1"x34"



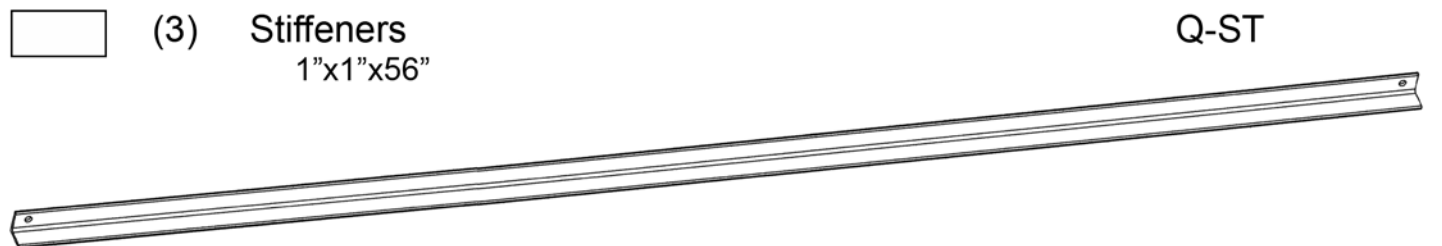
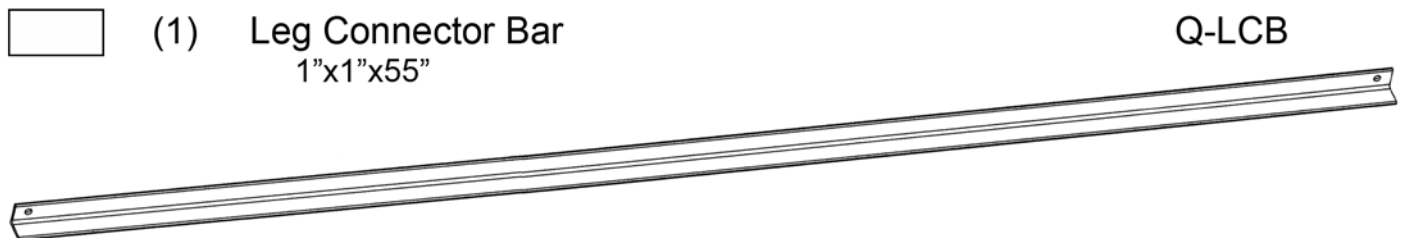
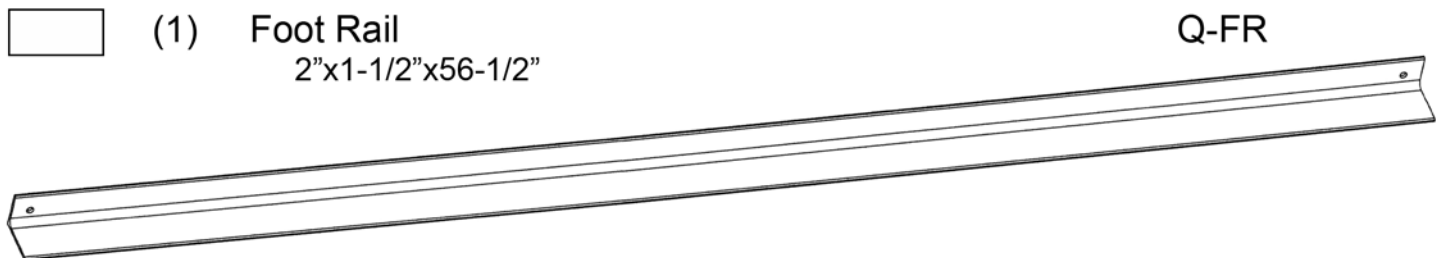
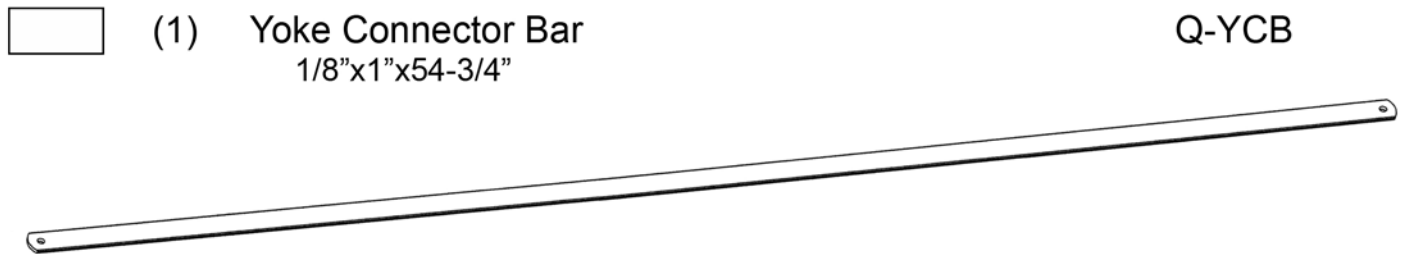
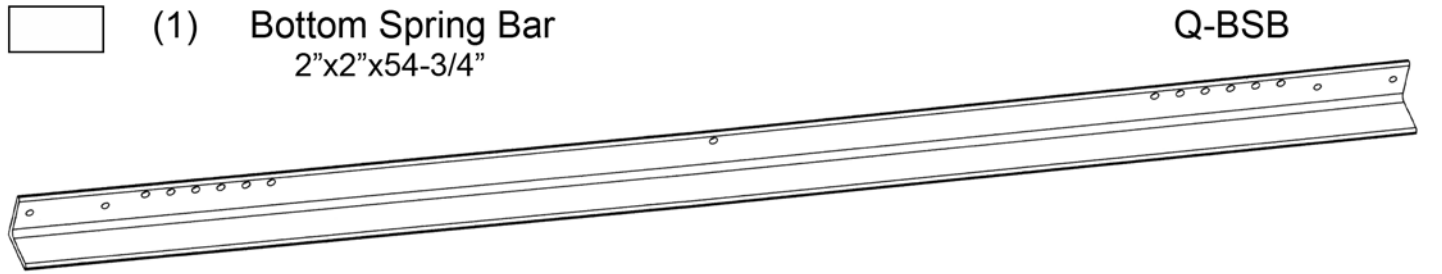
 (3) Stiffeners S-ST
1"x1"x35"



MURPHY BEDS - DOUBLE ANGLE BOX CONTENTS

-  (1) Bottom Spring Bar
2"x2"x48-3/4" D-BSB

-  (1) Yoke Connector Bar
1/8"x1"x48-3/4" D-YCB

-  (1) Foot Rail
2"x1-1/2"x50-1/2" D-FR

-  (1) Leg Connector Bar
1"x1"x49" D-LCB

-  (3) Stiffeners
1"x1"x50" D-ST


MURPHY BEDS - QUEEN ANGLE BOX CONTENTS



MURPHY BEDS - YOKE ASSEMBLY

LEGEND

LFY - Left Floor Yoke	
RFY - Right Floor Yoke	
LAB - Leg Actuator Bar	
YCB - Yoke Connector Bar	
BSB - Bottom Spring Bar	
AB - Angle Brace	
S - Single	UMWNY - Nylon Washer
D - Double	UMNNYL - Nylon Insert Locknut
Q - Queen	UMB75 - 3/4" Bolt
U - Universal	UMB125 - 1-1/4" Bolt

1. Fasten right floor yoke (RFY) and left floor yoke (LFY) loosely to the bottom spring bar (-BSB) with two pairs of 3/4" bolts (UMB75) and nylon insert locknuts (UMNNYL). See figure 2.
2. Fasten angle braces (U-AB) and yoke connector bar (-YCB) to pieces from step 1 with 3/4" bolts (UMB75) and nylon insert locknuts (UMNNYL). See figure 2.
3. Tighten down bolts and nuts.
4. Attach leg actuator bars (U-LAB) to floor yokes using 1-1/4" bolts (UMB125), nylon washers (UMWNY) and nylon insert locknuts (UMNNYL). Tighten snug.
5. Position frame on floor inside wall cabinet with equal space on the left and right.
6. Position front of Yoke 14" (minimum) from wall and mark anchor holes on floor.
7. Remove frame and drill holes. Install anchors (UMANC) in holes. See figure 3.
8. Attach frame to floor with anchor bolts. See figure 3.

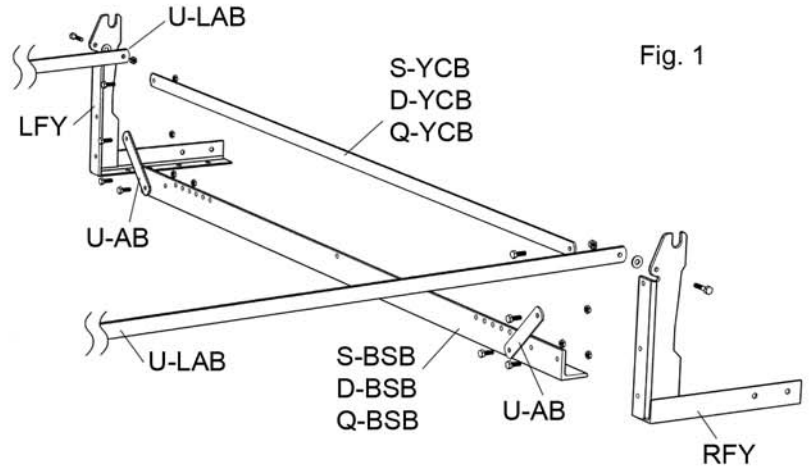


Fig. 1

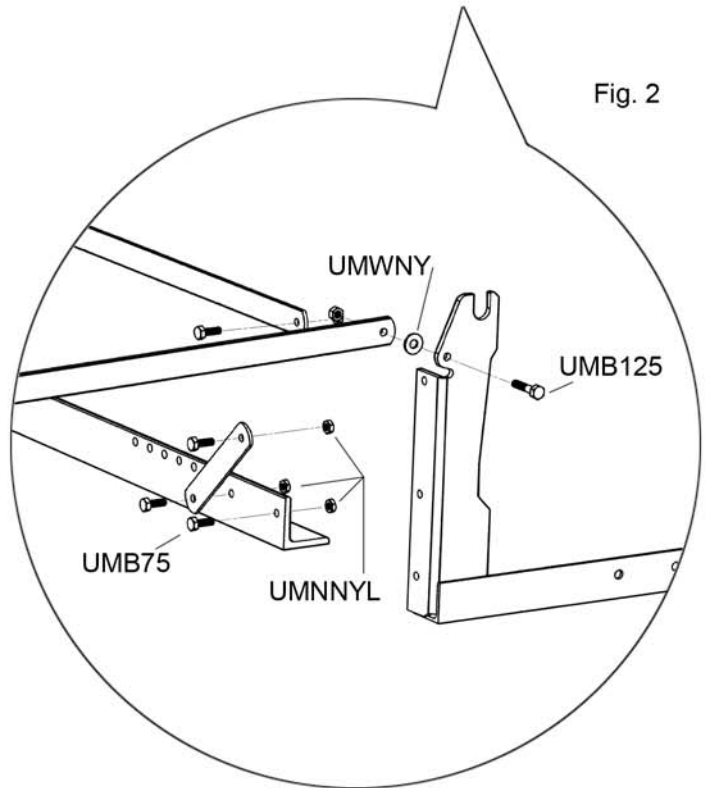


Fig. 2

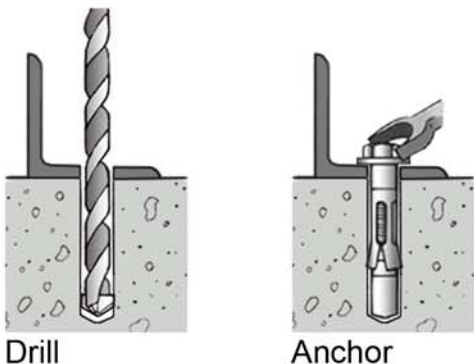
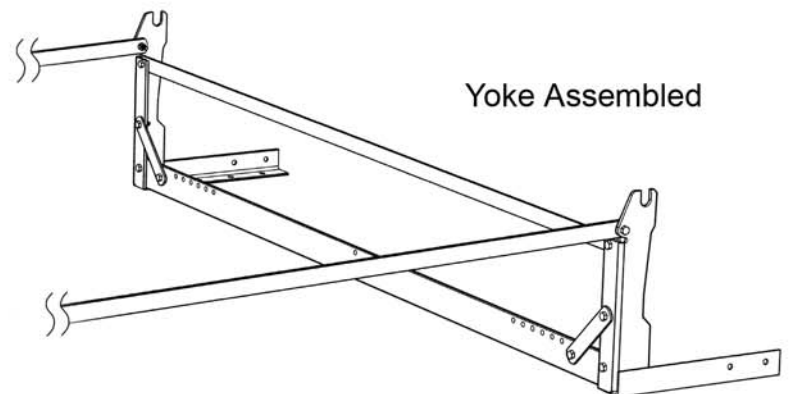


Fig. 3

Drill

Anchor



Yoke Assembled

MURPHY BEDS - FRAME ASSEMBLY

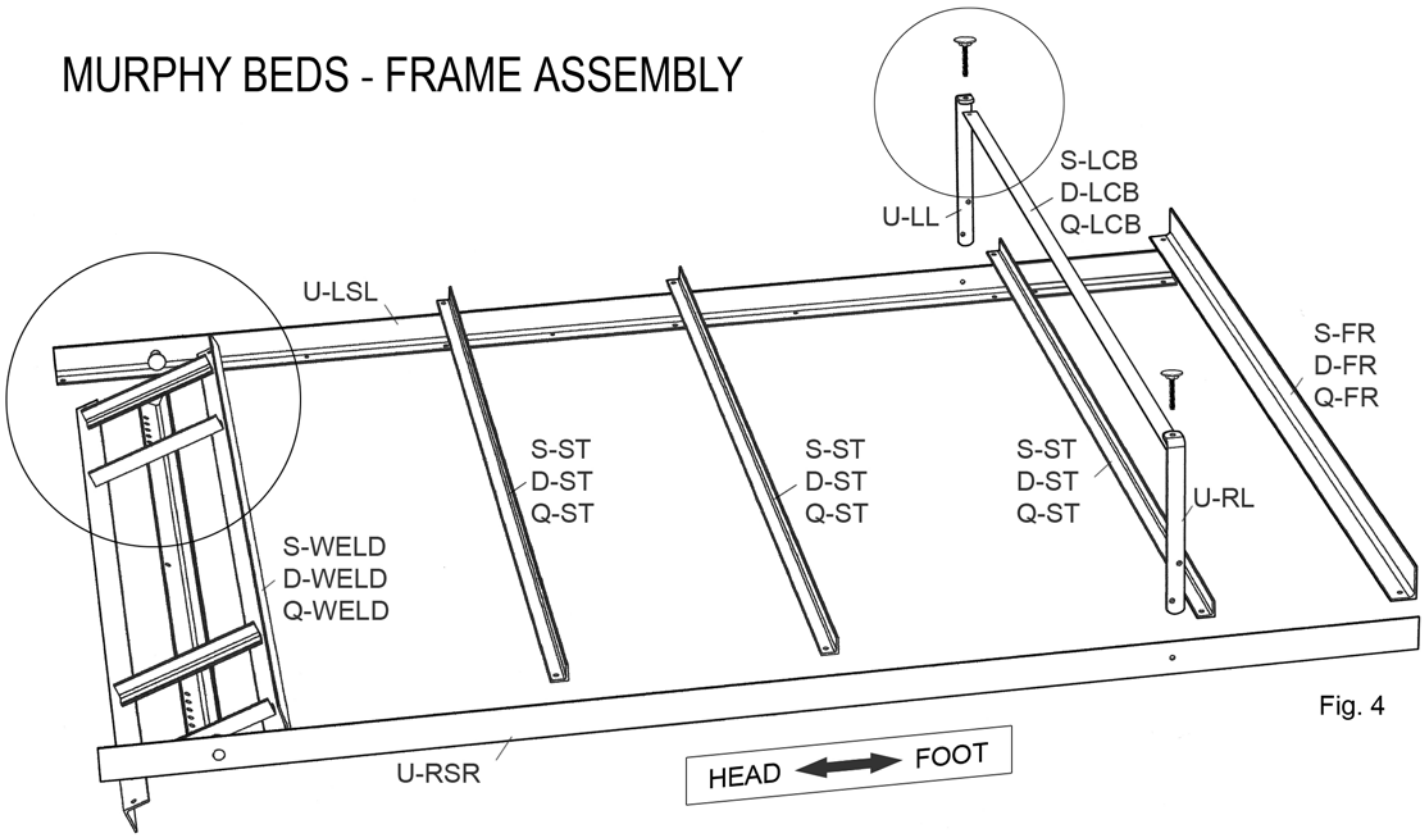


Fig. 4

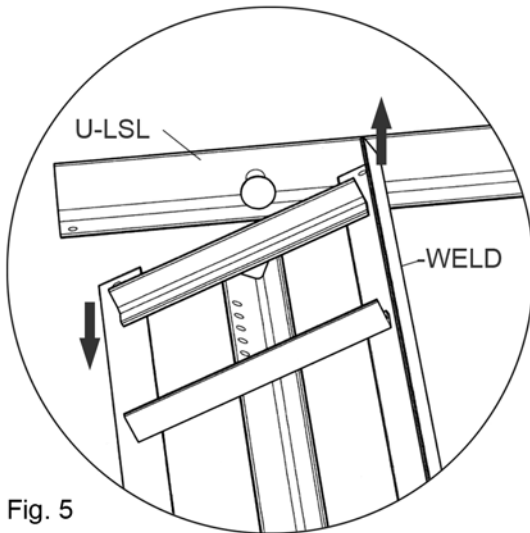


Fig. 5

LEGEND	S - Single	WELD - Weldment	LL - Left Leg
	D - Double	ST - Stiffener	RL - Right Leg
	Q - Queen	LCB - Leg Connector Bar	RSR - Right Side Rail
	U - Universal	FR - Foot Rail	LSR - Left Side Rail

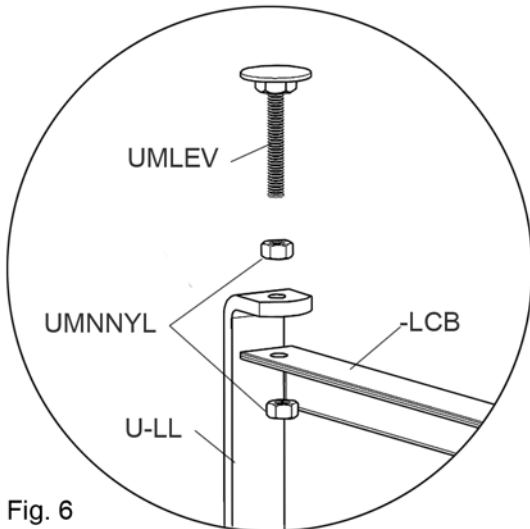


Fig. 6

9. Lay parts on floor upside down as shown above, Figure 4.
10. Attach stiffeners (-ST) and foot rail (-FR) to side rails with 3/4" bolts (UMB75), bringing bolt through side rail and into crossbar. Fasten loosely with nylon insert locknuts (UMNNYL).
11. Using 3/4" bolts (UMB75), attach the provided weldment (-WELD) to the side rails with the spring holes towards the head of the bed. Make sure the weldment straddles the side rails as shown to take stress off the bolts. See figure 5 to the left.
12. Square the frame, then tighten all bolts and nuts.
13. Attach left and right legs to side rails of frame using the nylon spacers (UMSPNY) with the 1-1/4" bolts (UMB125), and tighten snug. Note: The holes used to connect to the the legs to the side rails are offset towards the head of the bed.
14. Attach leg connector bar (-LCB) using the adjustable leg levellers (UMLEV) and two nylon insert locknuts (UMNNYL) as shown in figure 6.

MURPHY BEDS - FRAME ASSEMBLY

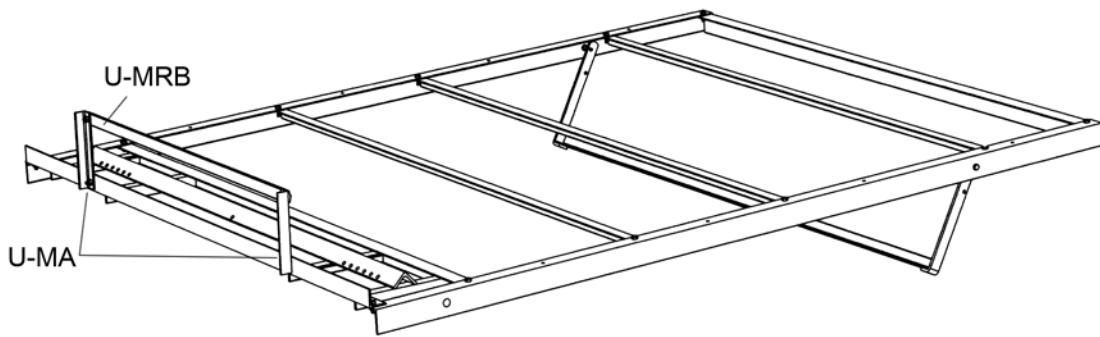


Fig. 7

15. Turn the mattress frame right side up.
16. Attach the two Mattress Arms (U-MA) to the head of the frame and attach the Mattress Retainer Bar (U-MRB) to the ends of the the Mattress Arms. Fasten pieces together with 3/4" bolts (UMB75) inserted from the mattress side. See figure 7.
17. Place the bed frame assembly vertically onto the floor yoke assembly as shown in figure 8.
18. Attach the tops of the leg actuator bars to the leg assembly with 1-1/4" bolts (UMB125), nylon washers (UMWNY), and locknuts (UMNNYL) and tighten snug. Figure 9.
19. Bring to a vertical position to install springs. Place spring hooks into the Bottom Spring Bar (_BSB) first and with a screwdriver pull the top spring hooks into their respective holes in the weldment piece (_WELD). See figure 10.

Fig. 9

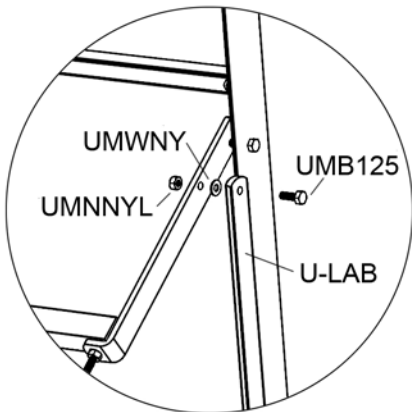


Fig. 8

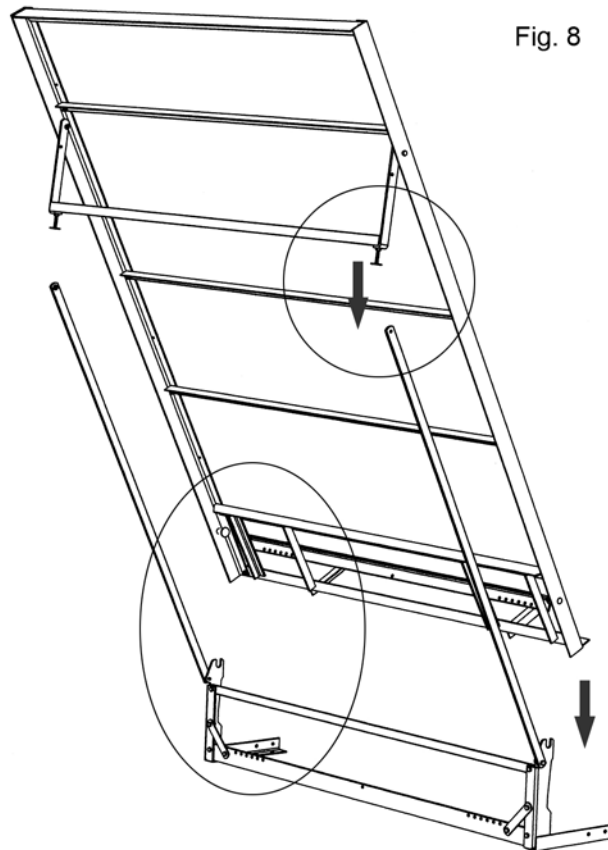


Fig. 10

